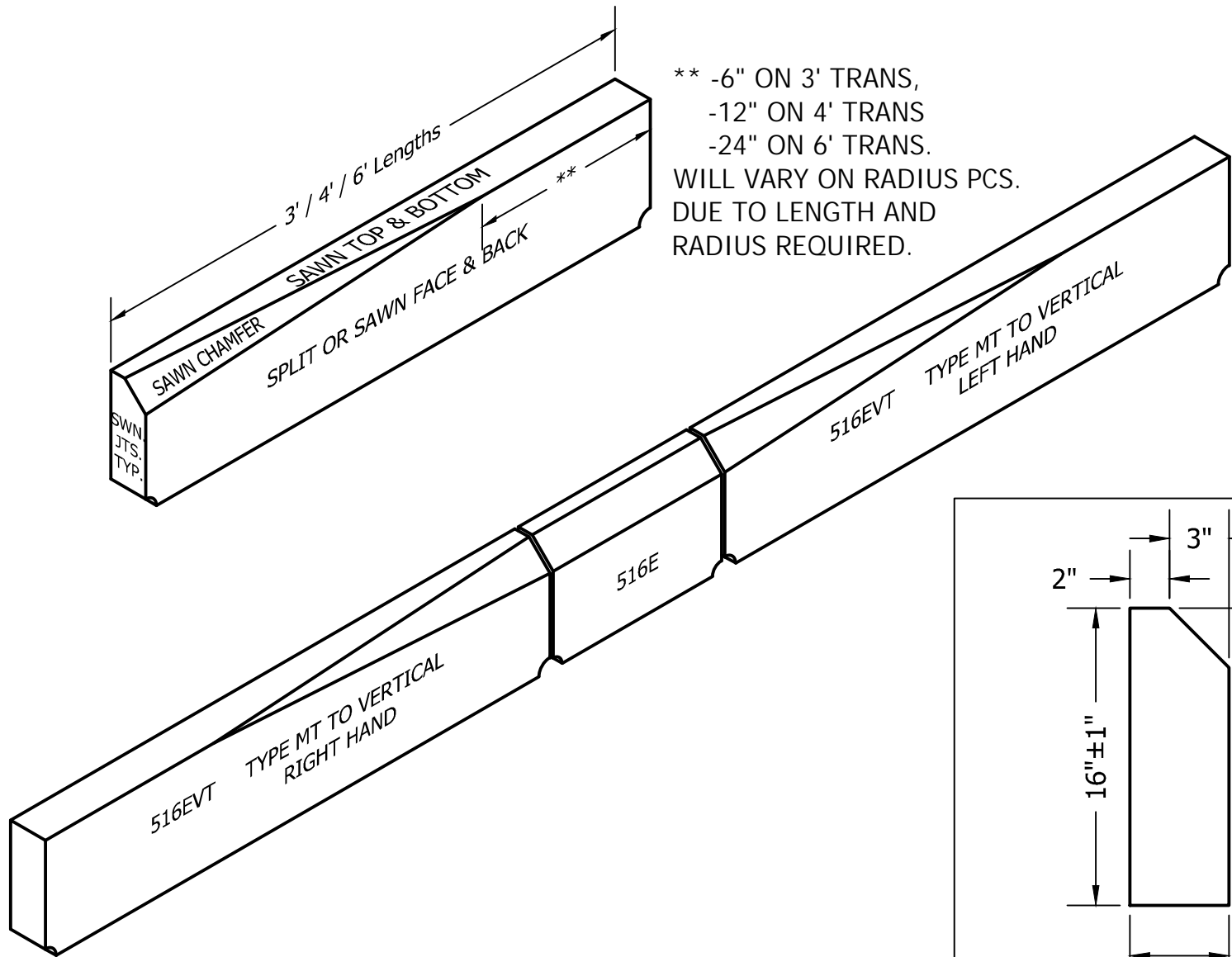


WILLIAMS STONE COMPANY, INC.

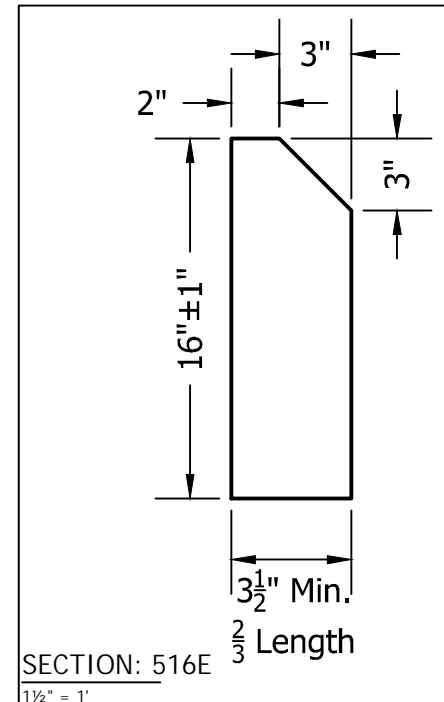
1158 Lee-Westfield Road P.O. Box 278 East Otis, MA 01029
 Tel: (800)832-2052 (413)269-4544 Fax: (413)269-6148
 E-mail: info@williamsstone.com Web: www.williamsstone.com



ISOMETRIC
 3/4" = 1'

RADIAL PIECES CUT TO REQUIRED CURVATURE.

SECTION: 516E
 1 1/2" = 1'



Product Code:	516EVT, 516EVTR+10, -10, -4				Unit Weight:	87#/LF
Item Description:	5"x16" Type MT 3"x3" Chamfer to Vertical Transition				Stone Type:	Blue Sky
Surface:	Top	Bottom	Front	Back	Left End	Right End
Finishes:	Sawn	Sawn	Split or Sawn	Split or Sawn	Sawn	Sawn
Tolerances:	Items are fabricated to tolerances per the National Building Granite Quarries Association specifications.					