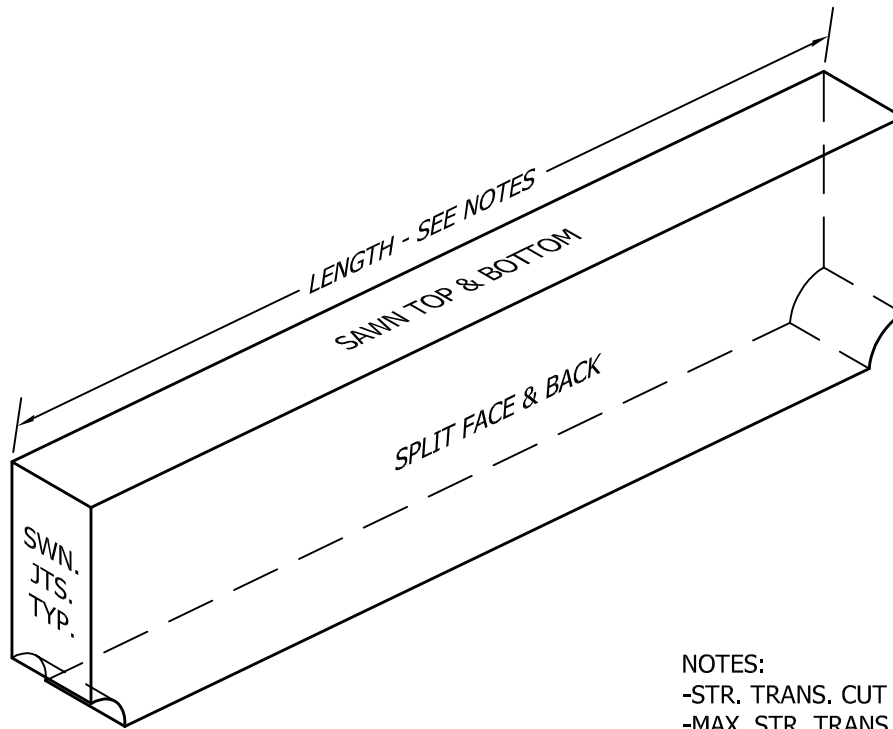


WILLIAMS STONE COMPANY, INC.

1158 Lee-Westfield Road P.O. Box 278 East Otis, MA 01029
 Tel: (800) 832-2052 (413) 269-4544 Fax: (413) 269-6148
 E-mail: info@williamsstone.com Web: www.williamsstone.com

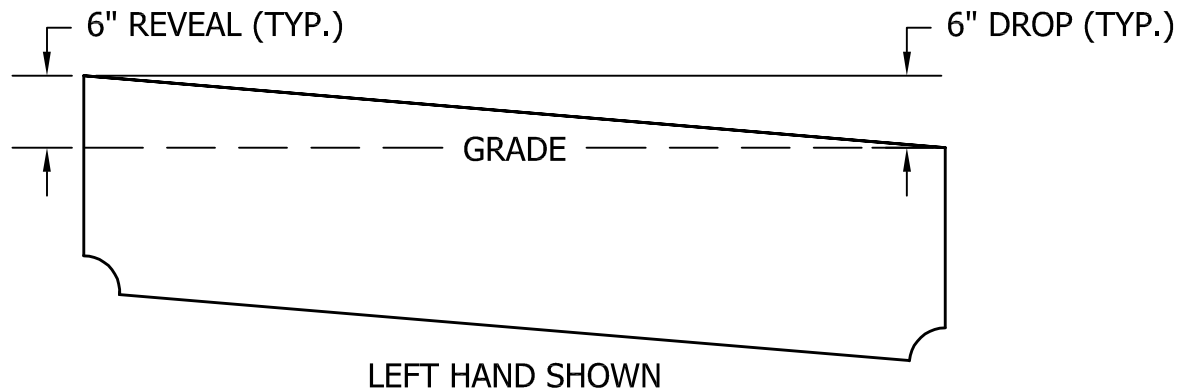


NOTES:

- STR. TRANS. CUT IN FOOT/HALF FOOT INCREMENTS.
- MAX. STR. TRANS. LENGTH 7'.
- RADIUS TRANS. CUT TO REQUIRED CURVATURE.
- MAX. RAD. TRANS. LENGTH 6.5'.
- RAD. TRANS. MAY BE IN (2) PCS. DEPENDING ON RADIUS REQUIRED.

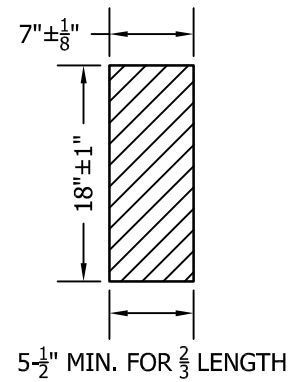
Isometric

1" = 1'-0"



Elevation

3/4" = 1'-0"



Section

3/4" = 1'-0"

Product Code:	718T / 718RT				Unit Weight:	139#/LF
Item Description:	7x18 Vertical To Flush Transition				Stone Type:	Blue Sky
Surface:	Top	Bottom	Front	Back	Left End	Right End
Finishes:	Thermal	Sawn	Split	Split	Sawn	Sawn
Tolerances:	Items are fabricated to tolerances per the National Building Granite Quarries Association specifications.					