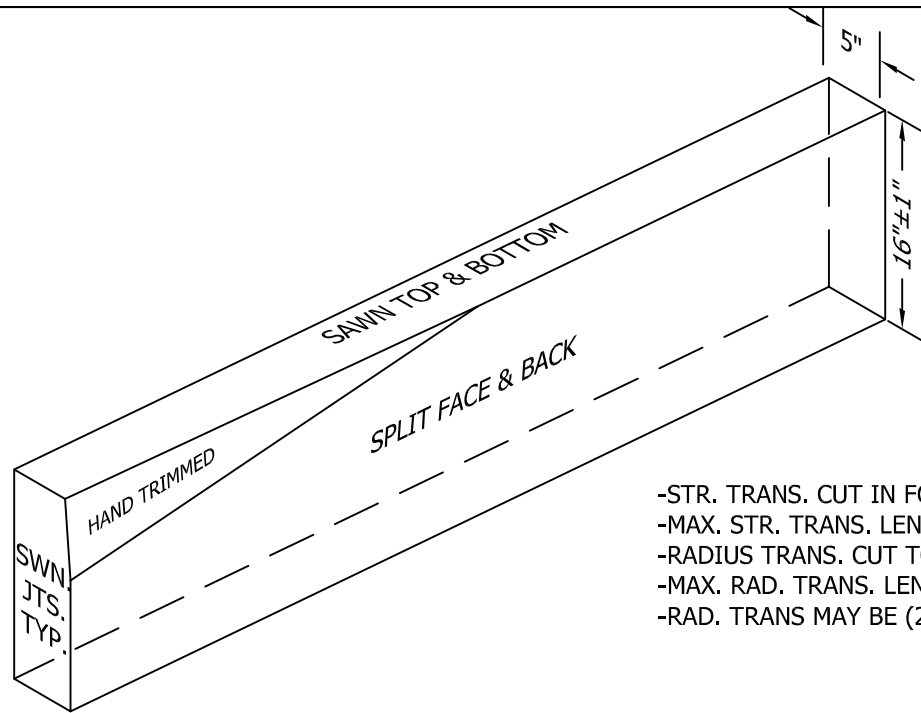


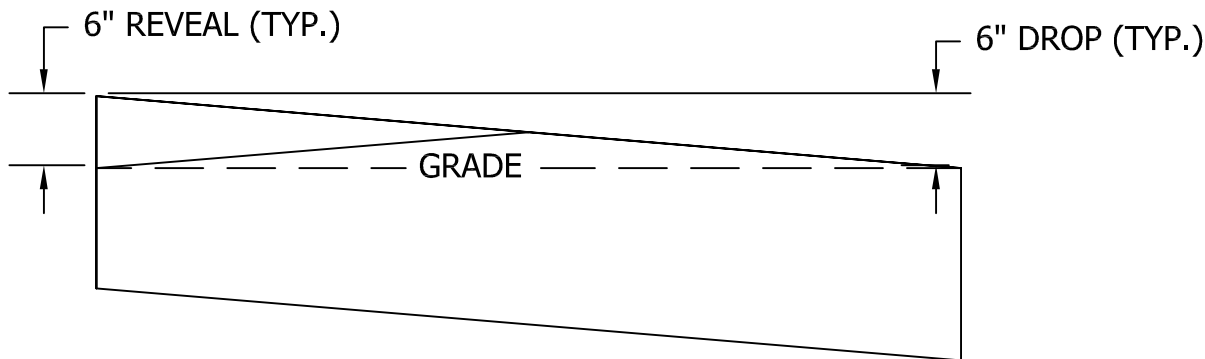
WILLIAMS STONE COMPANY, INC.

1158 Lee-Westfield Road P.O. Box 278 East Otis, MA 01029
 Tel: (800) 832-2052 (413) 269-4544 Fax: (413) 269-6148
 E-mail: info@williamsstone.com Web: www.williamsstone.com



- STR. TRANS. CUT IN FOOT/HALF FOOT INCREMENTS.
- MAX. STR. TRANS. LENGTH 7'
- RADIUS TRANS. CUT TO CURVATURE REQUIRED.
- MAX. RAD. TRANS. LENGTH 6.5'
- RAD. TRANS MAY BE (2) PCS. DEPENDING ON RADIUS REQ.

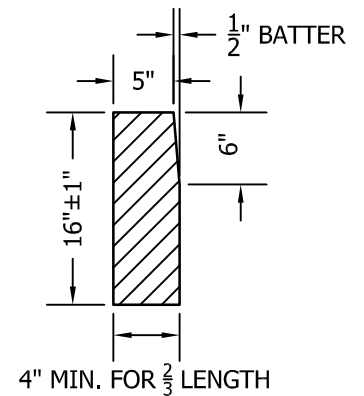
ISOMETRIC
1" = 1'



LEFT HAND SHOWN

ELEVATION
3/4" = 1'

GRANITE CURB FABRICATED IN ACCORDANCE WITH NYSDOT
 DETAIL SHEET "STONE CURB AND GRANITE CURB" #609-01 AND
 SECTION 714 DIVISION OF CONSTRUCTION SPECIFICATIONS.



END: Type C
3/4" = 1'

Product Code:	516CT / 516CRT				Unit Weight:	89#/LF
Item Description:	5"x16" Type C to Flush Transition				Stone Type:	Blue Sky
Surface:	Top	Bottom	Front	Back	Left End	Right End
Finishes:	Sawn	Sawn	Split	Split	Sawn	Sawn
Tolerances:	Items are fabricated to tolerances per the National Building Granite Quarries Association specifications.					