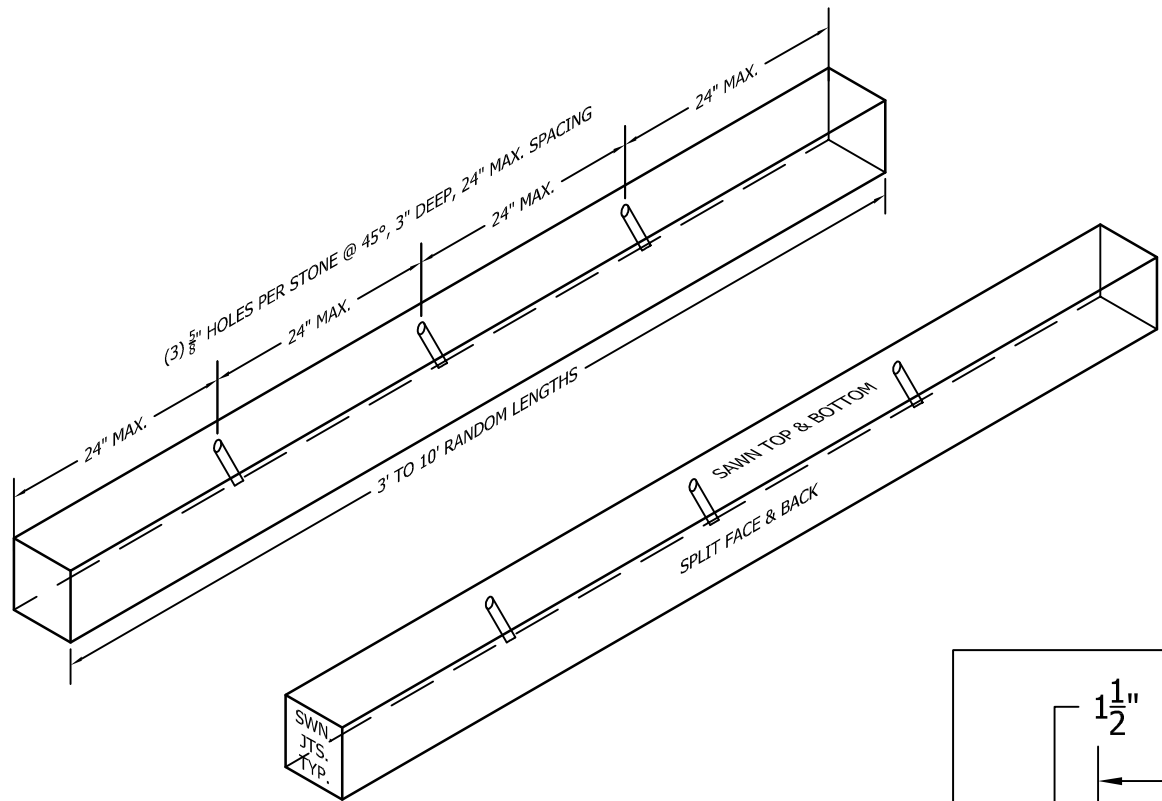


# WILLIAMS STONE COMPANY, INC.

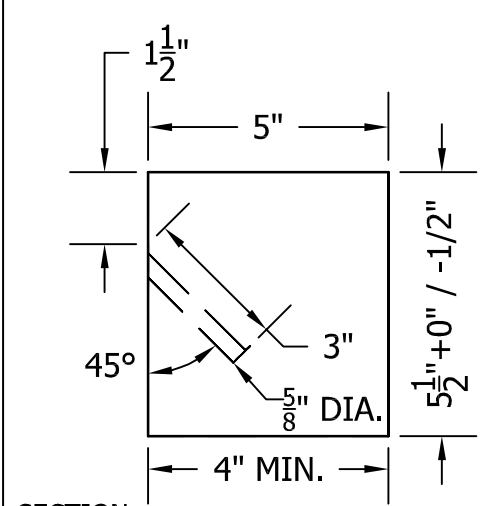
1158 Lee-Westfield Road P.O. Box 278 East Otis, MA 01029

Tel: (800) 832-2052 (413) 269-4544 Fax: (413) 269-6148

E-mail: info@williamsstone.com Web: www.williamsstone.com



-RADIUS CUT TO REQUIRED CURVATURE  
 -CURBING MANUFACTURED IN ACCORDANCE WITH THE STATE OF  
 NEW YORK DEPARTMENT OF TRANSPORTATION STANDARD  
 SPECIFICATIONS FOR HIGHWAYS AND BRIDGES.



ISO  
 1" = 1'-0"

SECTION  
 3" = 1'-0"

Product Code:	55.5BC				Unit Weight:	32#/LF
Item Description:	5"x5-1/2" Type F1 Bridge Curb				Stone Type:	Blue Sky
Surface:	Top	Bottom	Front	Back	Left End	Right End
Finishes:	Sawn	Sawn	Split	Split	Sawn	Sawn
Tolerances:	Items are fabricated to tolerances per the National Building Granite Quarries Association specifications.					