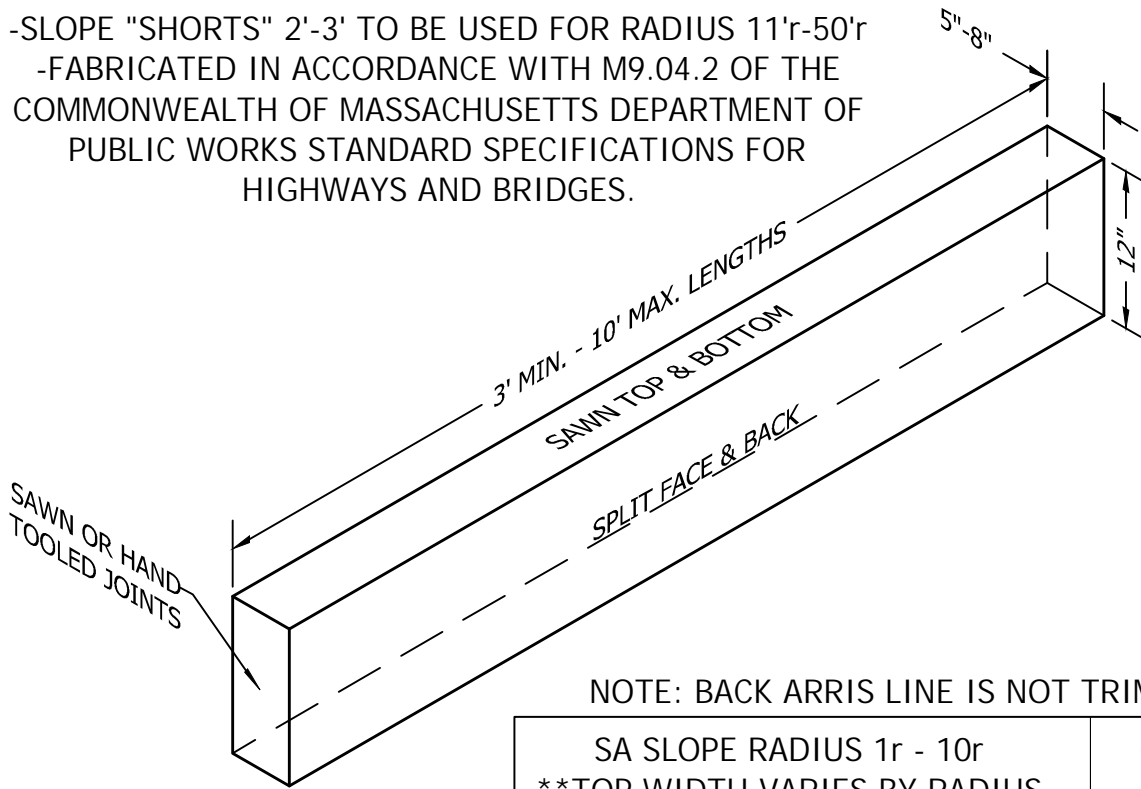


# WILLIAMS STONE COMPANY, INC.

1158 Lee-Westfield Road P.O. Box 278 East Otis, MA 01029  
 Tel: (800) 832-2052 (413) 269-4544 Fax: (413) 269-6148  
 E-mail: info@williamsstone.com Web: www.williamsstone.com

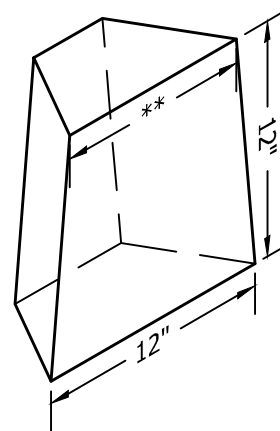


-SLOPE "SHORTS" 2'-3' TO BE USED FOR RADIUS 11'r-50'r  
 -FABRICATED IN ACCORDANCE WITH M9.04.2 OF THE  
 COMMONWEALTH OF MASSACHUSETTS DEPARTMENT OF  
 PUBLIC WORKS STANDARD SPECIFICATIONS FOR  
 HIGHWAYS AND BRIDGES.



NOTE: BACK ARRIS LINE IS NOT TRIMMED -TO BE BELOW GRADE

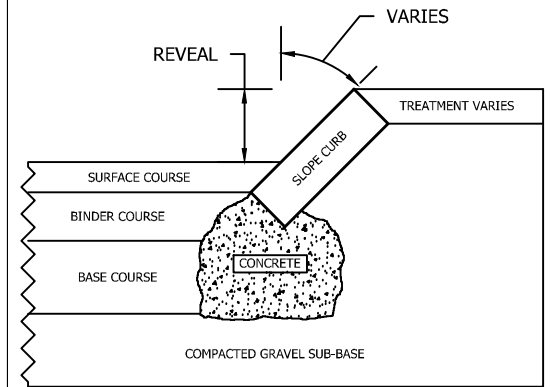
SA SLOPE RADIUS 1r - 10r  
 \*\*TOP WIDTH VARIES BY RADIUS



Isometric  
 1" = 1'-0"

Isometric  
 1-1/2" = 1'-0"

GENERAL METHOD OF SETTING  
 SLOPE CURB



Product Code:	SA / SAR				Unit Weight:	70#/LF
Item Description:	5"x12" Type SA Slope Straight / Radius				Stone Type:	Blue Sky
Surface:	Top	Bottom	Front	Back	Left End	Right End
Finishes:	Sawn	Sawn	Split	Split	Sawn or Hand Tooled	
Tolerances:	Items are fabricated to tolerances per the National Building Granite Quarries Association specifications.					