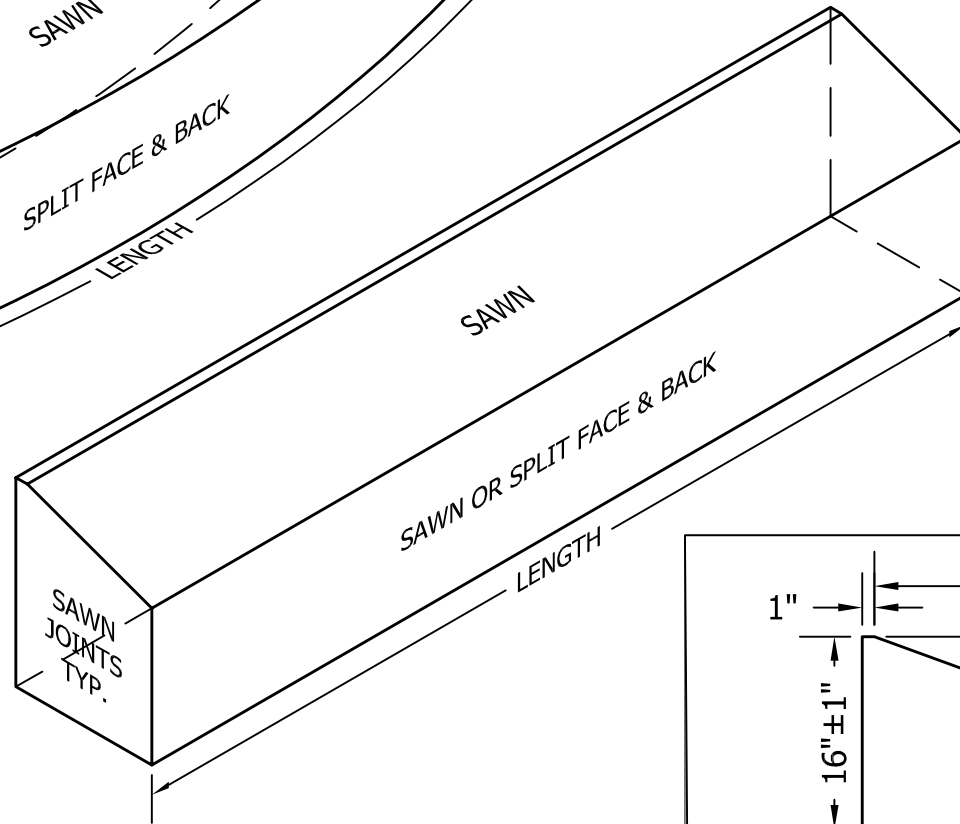
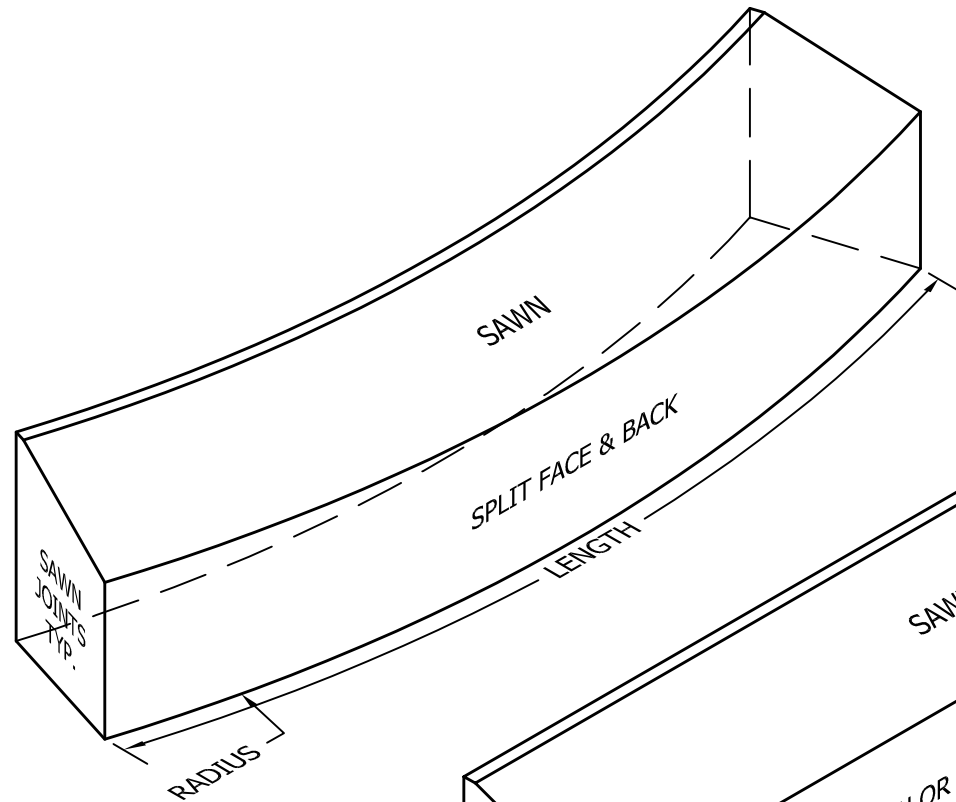


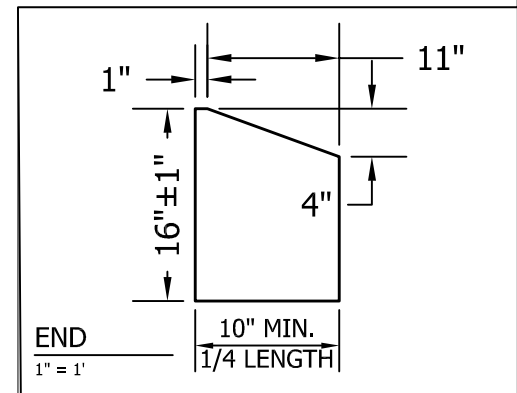
WILLIAMS STONE COMPANY, INC.

1158 Lee-Westfield Road P.O. Box 278 East Otis, MA 01029
 Tel: (800) 832-2052 (413) 269-4544 Fax: (413) 269-6148
 E-mail: info@williamsstone.com Web: www.williamsstone.com



- STRAIGHT LENGTHS FROM 4'-10'.
- RADIUS LENGTHS WILL VARY WITH CURVATURE REQUIRED.
- RADIUS CUT FROM 1'r TO 125'r.

ISO
1" = 1'



Product Code:	T100S / T100R				Unit Weight:	195#/LF
Item Description:	Type T100 Straight/Radius Traversable Curb				Stone Type:	Blue Sky
Surface:	Top	Bottom	Front	Back	Left End	Right End
Finishes:	Sawn	Sawn	Split or Sawn	Split or Sawn	Sawn	Sawn
Tolerances:	Items are fabricated to tolerances per the National Building Granite Quarries Association specifications.					