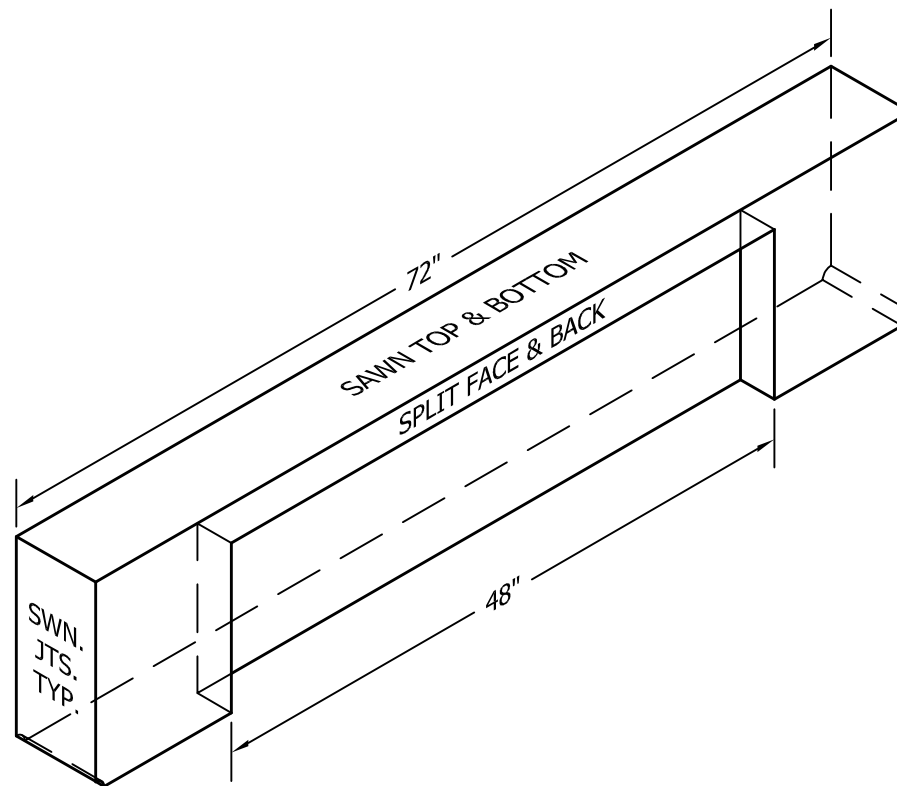
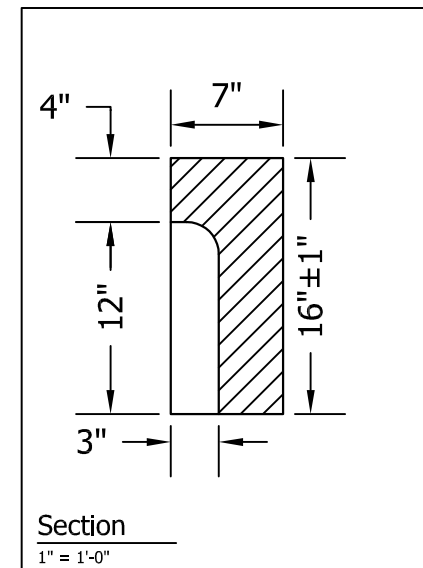


WILLIAMS STONE COMPANY, INC.

1158 Lee-Westfield Road P.O. Box 278 East Otis, MA 01029
 Tel: (800) 832-2052 (413) 269-4544 Fax: (413) 269-6148
 E-mail: info@williamsstone.com Web: www.williamsstone.com



-AS FABRICATED BY WILLIAMS STONE CO. INC.
 -CURVED INLETS TO BE CUT TO REQUIRED RADIUS W/RADIAL JOINTS



Isometric
 1" = 1'-0"

Section
 1" = 1'-0"

| | | | | | | |
|-------------------|---|--------|-------|-------|--------------|-----------|
| Product Code: | ISD / IRD | | | | Unit Weight: | 572#/EA. |
| Item Description: | MassDOT Granite Double Curb Inlet | | | | Stone Type: | Blue Sky |
| Surface: | Top | Bottom | Front | Back | Left End | Right End |
| Finishes: | Sawn | Sawn | Split | Split | Sawn | Sawn |
| Tolerances: | Items are fabricated to tolerances per the National Building Granite Quarries Association specifications. | | | | | |