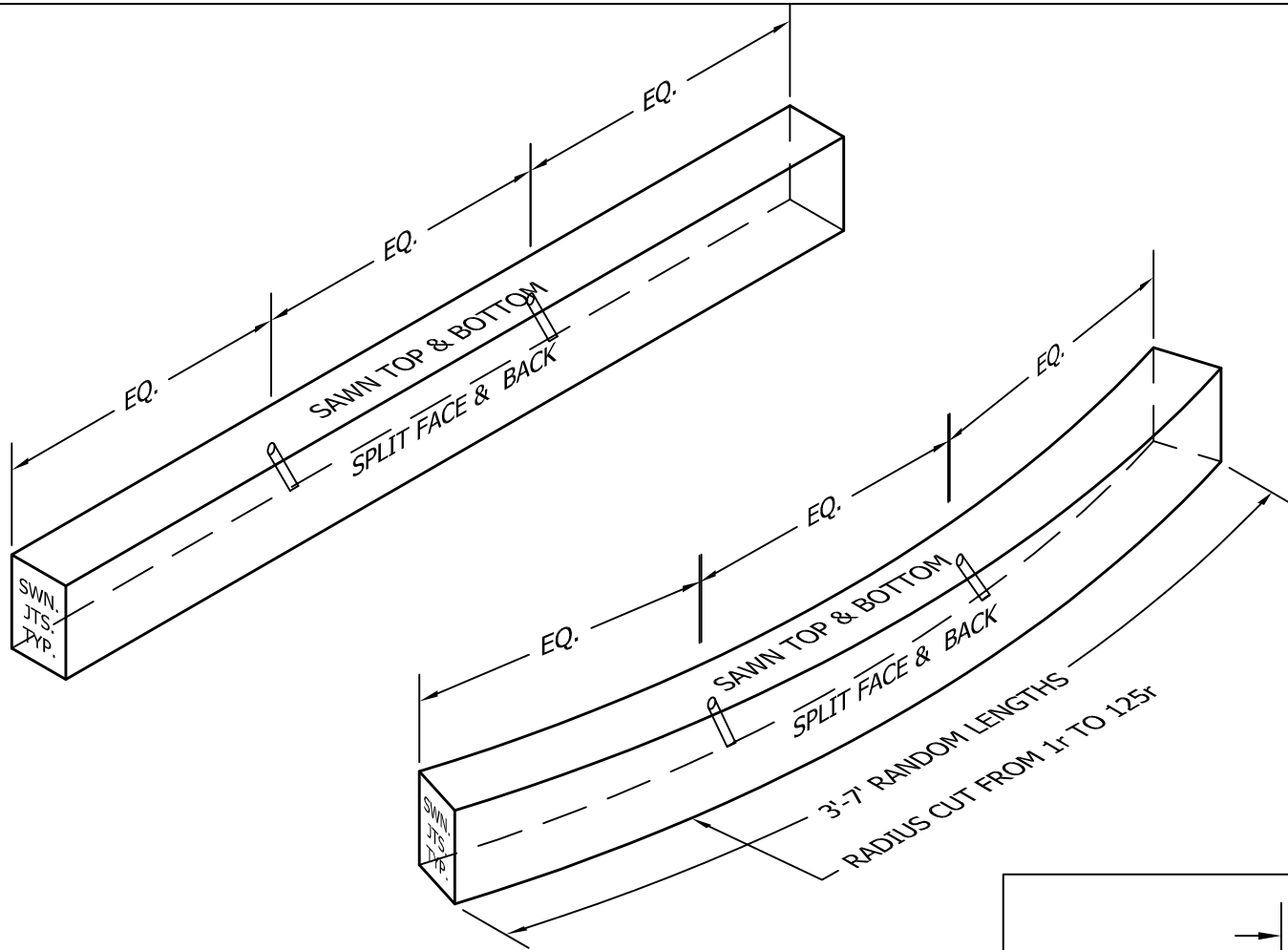


WILLIAMS STONE COMPANY, INC.

1158 Lee-Westfield Road P.O. Box 278 East Otis, MA 01029

Tel: (800) 832-2052 (413) 269-4544 Fax: (413) 269-6148

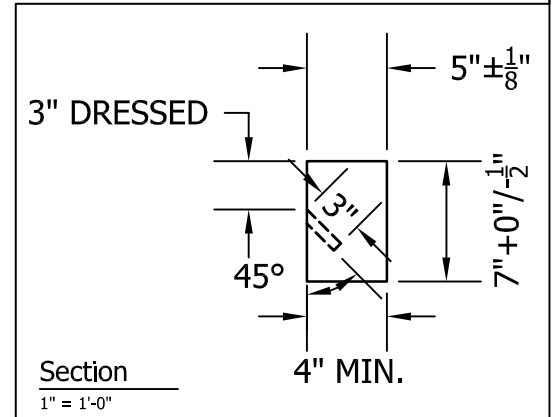
E-mail: info@williamsstone.com Web: www.williamsstone.com



NOTES:

-(2) $\frac{5}{8}$ " HOLES PER STONE, 3" DEEP @ 45°

-GRANITE CURB MANUFACTURED IN ACCORDANCE WITH STATE OF NEW YORK DEPARTMENT OF TRANSPORTATION STANDARD SPECIFICATIONS FOR HIGHWAYS & BRIDGES.



Isometric
1" = 1'-0"

Section
1" = 1'-0"

Product Code:	57.5BC - BRIDGE RADIUS/SPLIT				Unit Weight:	44#/LF
Item Description:	5"X7-1/2" Type G1 Bridge Curb				Stone Type:	Blue Sky
Surface:	Top	Bottom	Front	Back	Left End	Right End
Finishes:	Sawn	Sawn	Split	Split	Sawn	Sawn
Tolerances:	Items are fabricated to tolerances per the National Building Granite Quarries Association specifications.					