

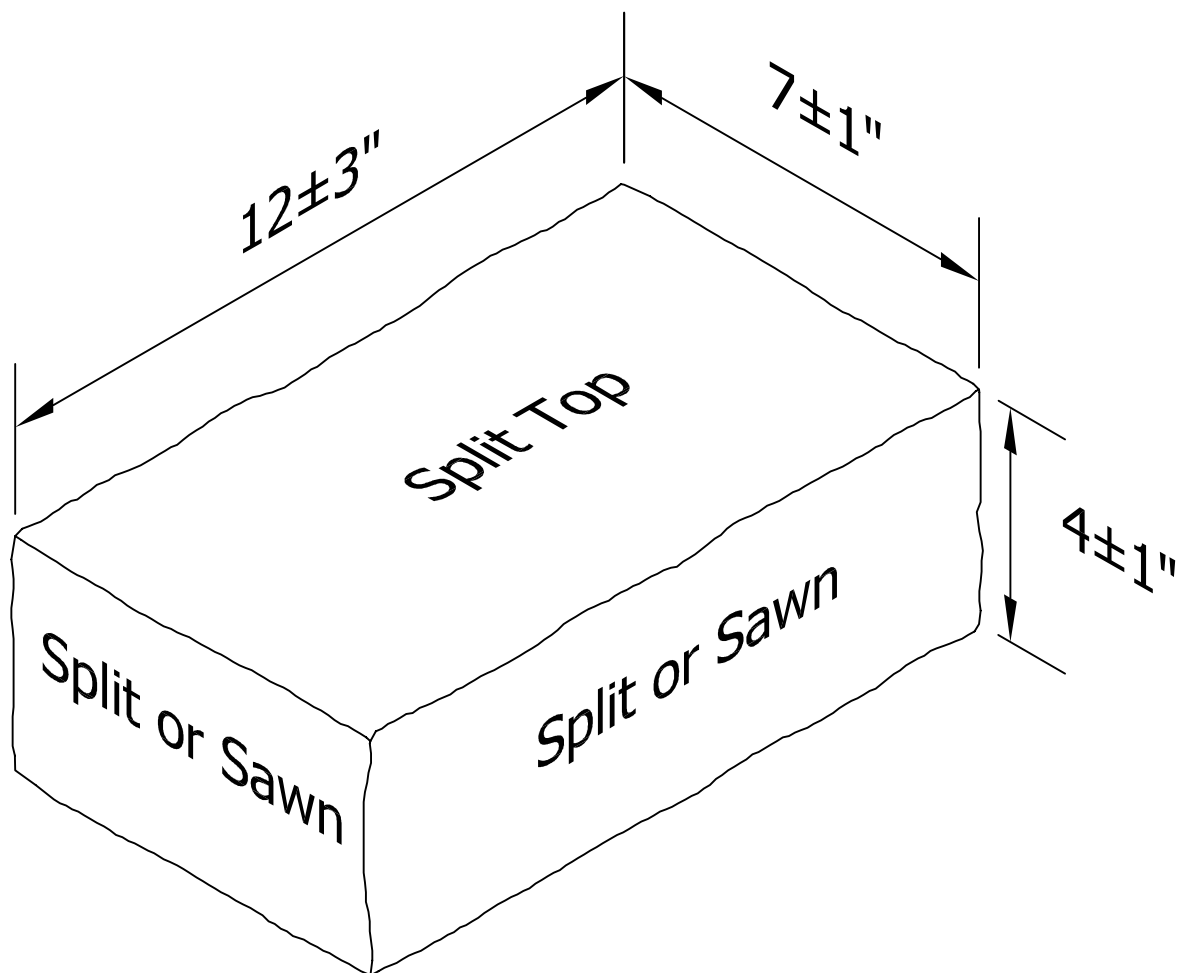


WILLIAMS STONE COMPANY, INC.

1158 Lee-Westfield Road P.O. Box 278 East Otis, MA 01029
Tel: (800)832-2052 (413)269-4544 Fax: (413)269-6148
E-mail: info@williamsstone.com Web: www.williamsstone.com

BK4712 - 4"x7"x12" Paving Blocks

(as manufactured by Williams Stone Co. Inc.)



Split paving blocks with squared edges,
Not tumbled cobblestones,
Minimum one side sawn