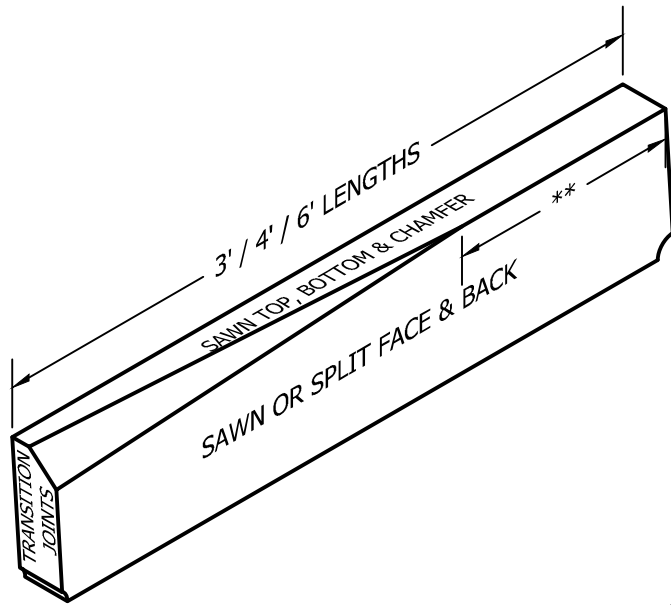
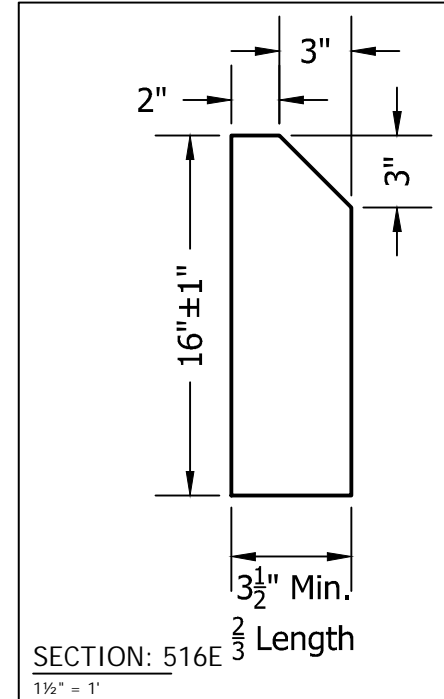
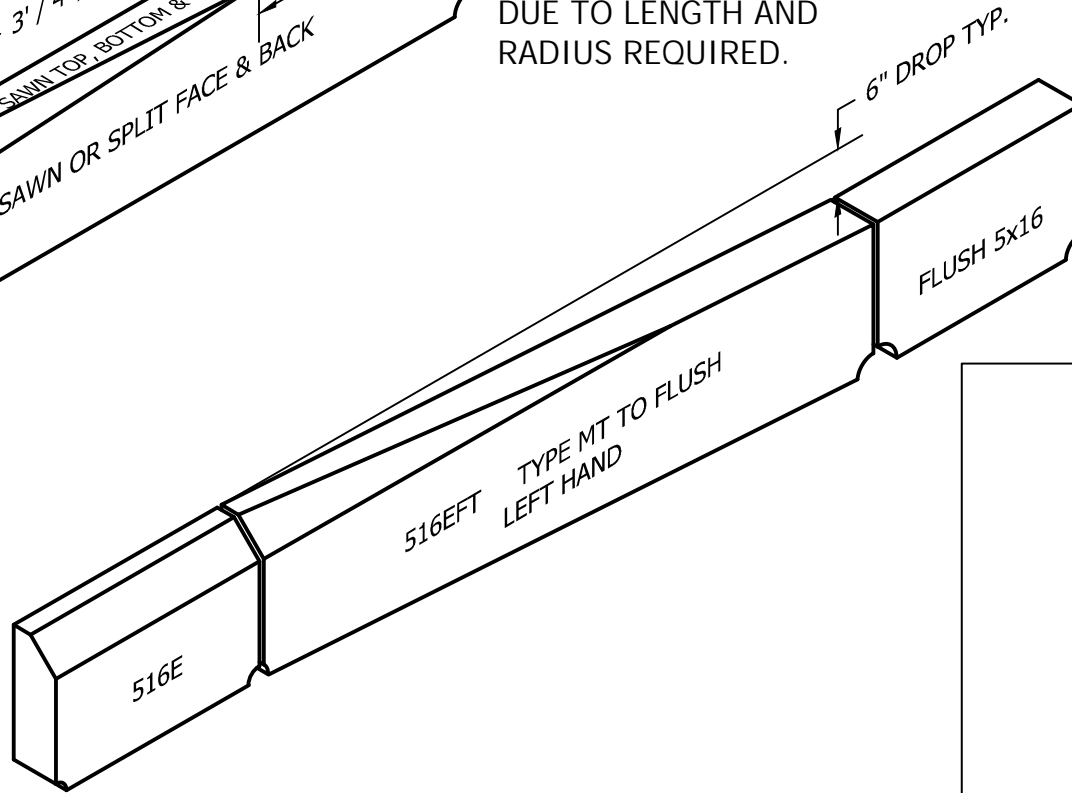


WILLIAMS STONE COMPANY, INC.

1158 Lee-Westfield Road P.O. Box 278 East Otis, MA 01029
 Tel: (800) 832-2052 (413) 269-4544 Fax: (413) 269-6148
 E-mail: info@williamsstone.com Web: www.williamsstone.com



** -6" ON 3' TRANS,
 -12" ON 4' TRANS
 -24" ON 6' TRANS.
 WILL VARY ON RADIUS PCS.
 DUE TO LENGTH AND
 RADIUS REQUIRED.



ISOMETRIC
 3/4" = 1'

-TRANSITION JOINTS
 -RADIAL PIECES CUT TO REQUIRED CURVATURE.

SECTION: 516E
 1 1/2" = 1'

| | | | | | | |
|-------------------|---|--------|---------------|---------------|--------------|-----------|
| Product Code: | 516EFT | | | | Unit Weight: | 87#/LF |
| Item Description: | 5"x16" Type MT 3"x3" to Flush Transition | | | | Stone Type: | Blue Sky |
| Surface: | Top | Bottom | Front | Back | Left End | Right End |
| Finishes: | Sawn | Sawn | Sawn or Split | Sawn or Split | Sawn | Sawn |
| Tolerances: | Items are fabricated to tolerances per the National Building Granite Quarries Association specifications. | | | | | |