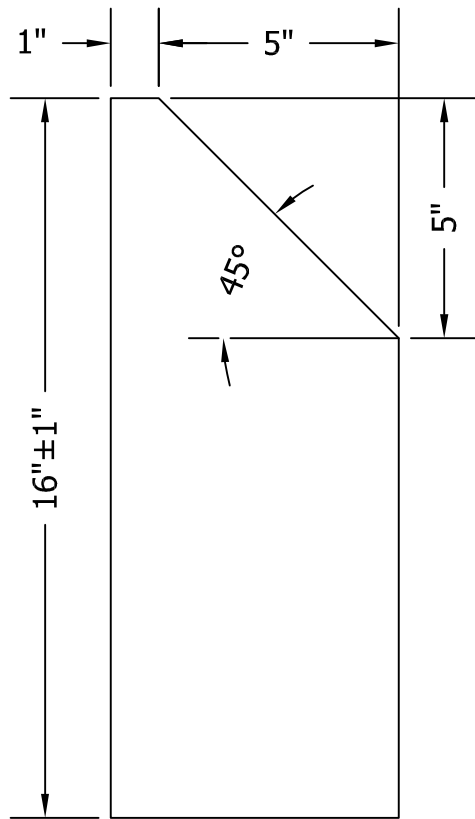


# WILLIAMS STONE COMPANY, INC.

1158 Lee-Westfield Road P.O. Box 278 East Otis, MA 01029

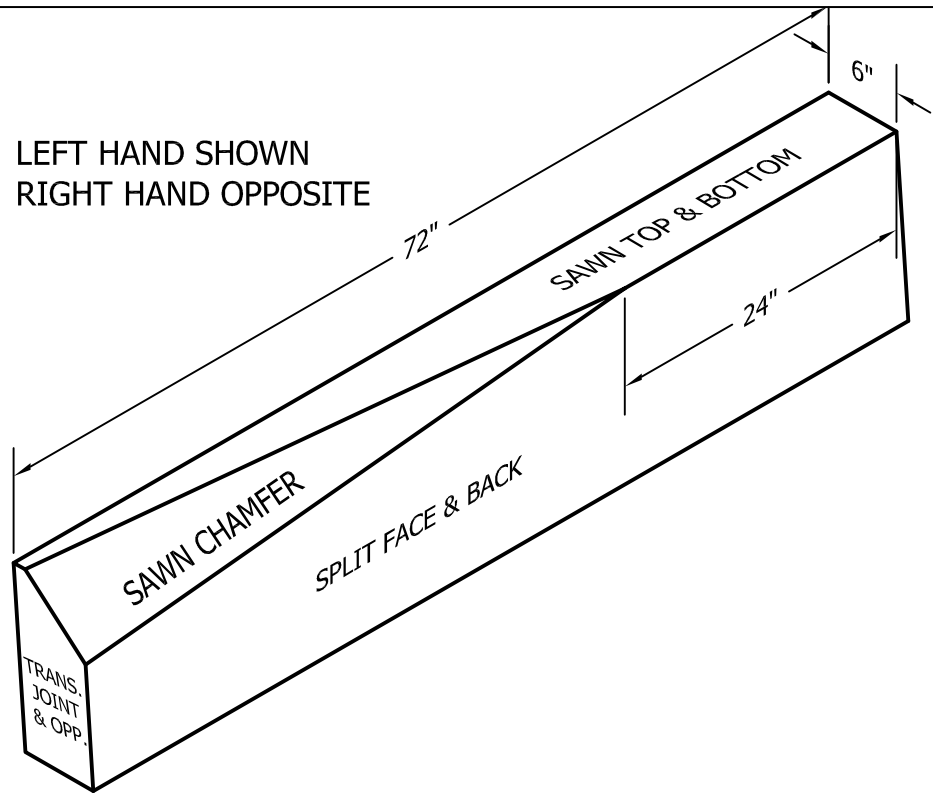
Tel: (800) 832-2052 (413) 269-4544 Fax: (413) 269-6148

E-mail: info@williamsstone.com Web: www.williamsstone.com

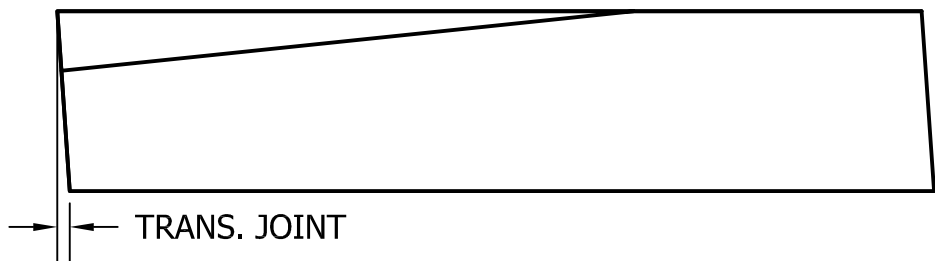


LEFT END  
3"=1'

LEFT HAND SHOWN  
RIGHT HAND OPPOSITE



ISOMETRIC  
1"=1'



ELEVATION  
3/4"=1'

\*RADIUS CUT TO CURVATURE REQUIRED.

Product Code:	616SFT-6L / 616SFT-6R / SFRT*				Unit Weight:	600#/EA.
Item Description:	6' SLOPE TO FLUSH TRANSITION				Stone Type:	Blue Sky
Surface:	Top & Chamfer	Bottom	Front	Back	Left End	Right End
Finishes:	Sawn	Sawn	Split	Split	Sawn	Sawn
Tolerances:	Items are fabricated to tolerances per the National Building Granite Quarries Association specifications.					