

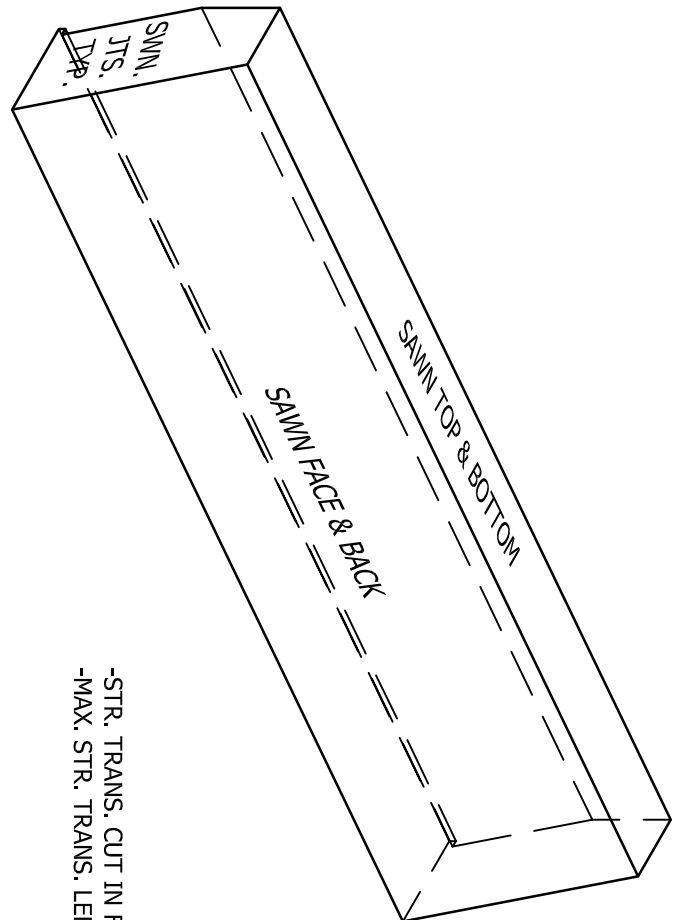


WILLIAMS STONE COMPANY, INC.

1158 Lee-Westfield Road P.O. Box 278 East Otis, MA 01029

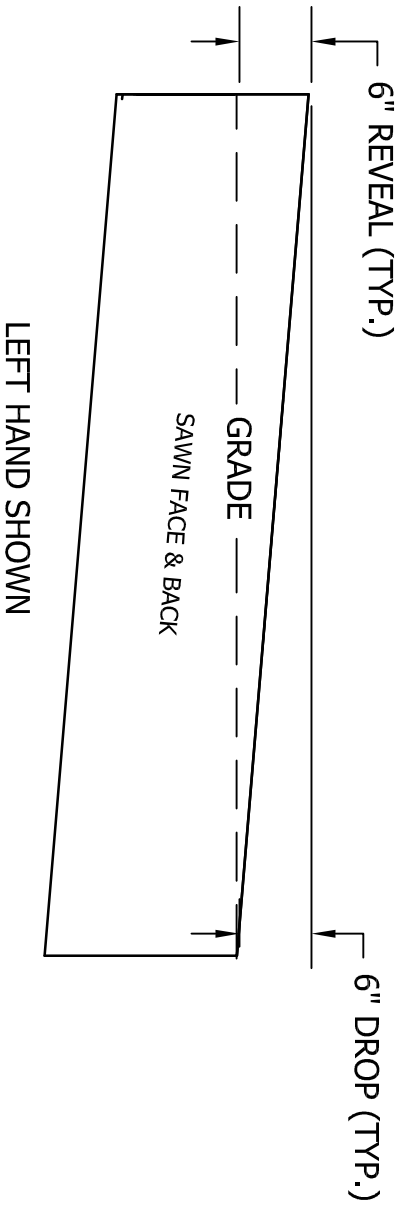
Tel: (800)832-2052 (413)269-4544 Fax: (413)269-6148

E-mail: info@williamsstone.com Web: www.williamsstone.com

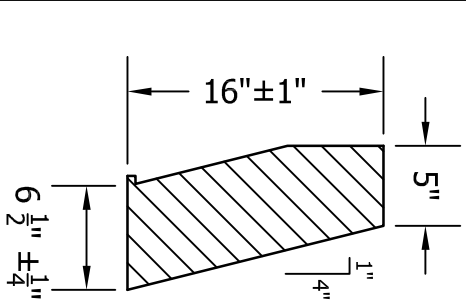


ISOMETRIC
1" = 1'

-STR. TRANS. CUT IN FOOT/HALF FOOT INCREMENTS.
-MAX. STR. TRANS. LENGTH 7'



ELEVATION
3/4" = 1'



END: Type D
1" = 1'

Product Code:	516DT / 516DRT				Unit Weight:	97#/LF	
Item Description:	5"x16" Straight Type D Transition to Flush				Stone Type:	Blue Sky	
Surface:	Top	Bottom	Front	Back	Left End	Right End	
Finishes:	Sawn	Sawn	Sawn	Sawn	Sawn	Sawn	
Tolerances: Items are fabricated to tolerances per the National Building Granite Quarries Association specifications.							