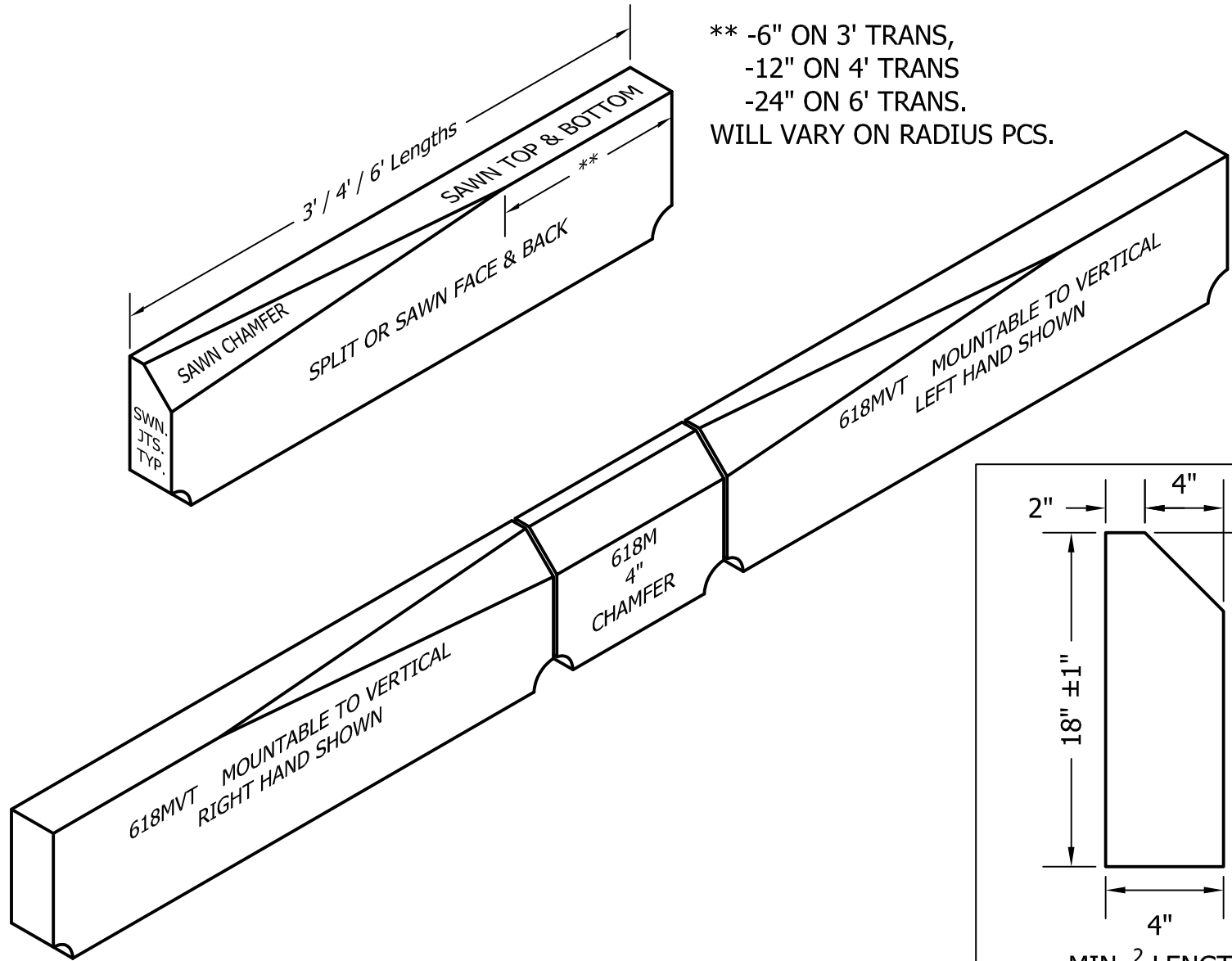


WILLIAMS STONE COMPANY, INC.

1158 Lee-Westfield Road P.O. Box 278 East Otis, MA 01029

Tel: (800)832-2052 (413)269-4544 Fax: (413)269-6148

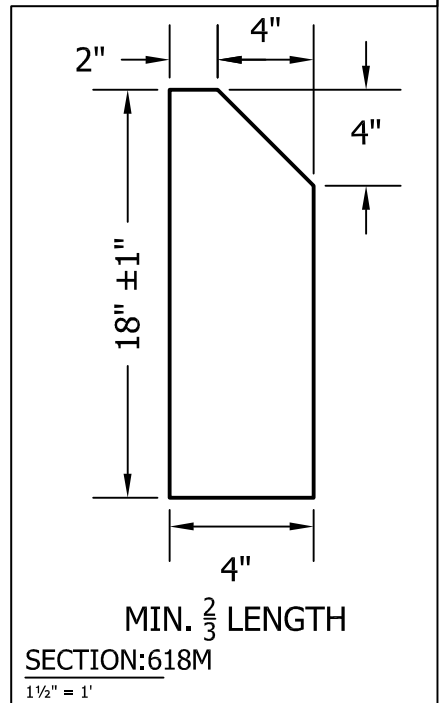
E-mail: info@williamsstone.com Web: www.williamsstone.com



** -6" ON 3' TRANS,
 -12" ON 4' TRANS
 -24" ON 6' TRANS.
 WILL VARY ON RADIUS PCS.

ISOMETRIC
 3/4" = 1'

RADIAL PIECES CUT TO REQUIRED CURVATURE.



Product Code:	618MVT, 618MVTR+10, -10, -4				Unit Weight:	118#/LF
Item Description:	6"x18" Mountable 4"X4" to Vertical Transition				Stone Type:	Blue Sky
Surface:	Top	Bottom	Front	Back	Left End	Right End
Finishes:	Sawn	Sawn	Sawn or Split	Sawn or Split	Sawn	Sawn
Tolerances:	Items are fabricated to tolerances per the National Building Granite Quarries Association specifications.					