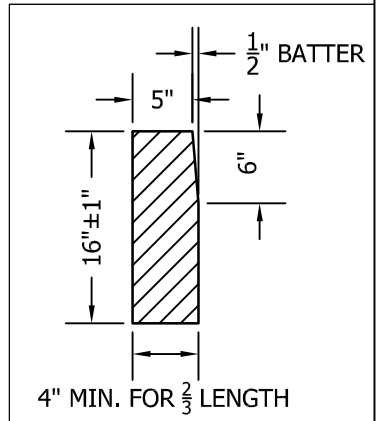
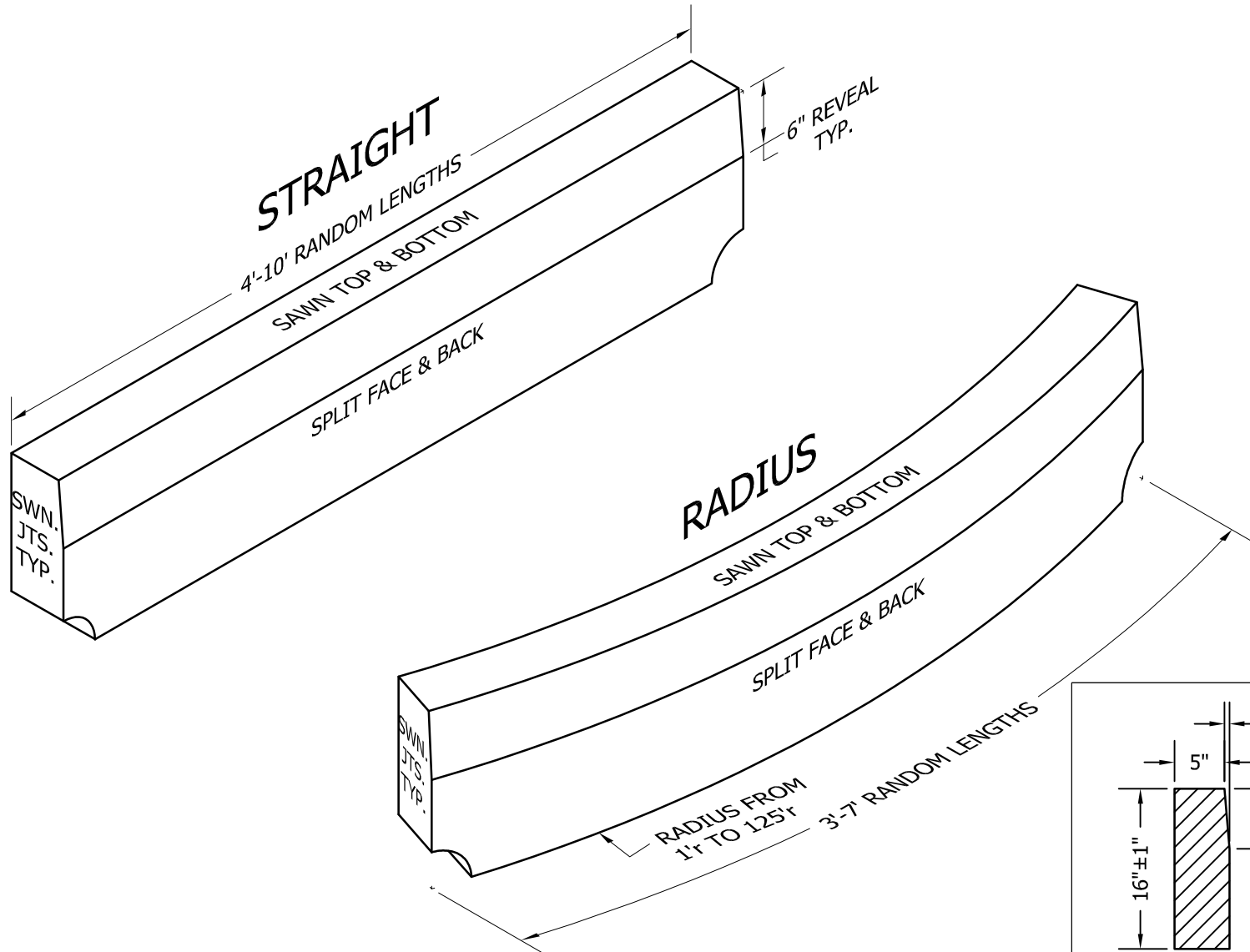


WILLIAMS STONE COMPANY, INC.

1158 Lee-Westfield Road P.O. Box 278 East Otis, MA 01029

Tel: (800) 832-2052 (413) 269-4544 Fax: (413) 269-6148

E-mail: info@williamsstone.com Web: www.williamsstone.com



GRANITE CURB FABRICATED IN ACCORDANCE WITH NYSDOT DETAIL SHEET "STONE CURB AND GRANITE CURB" #609-01 AND SECTION 714, DIVISION OF CONSTRUCTION SPECIFICATIONS.

Isometric
1" = 1'-0"

Section
3/4" = 1'-0"

| | | | | | | |
|-------------------|---|--------|-------|-------|--------------|-----------|
| Product Code: | 516C / 516CR | | | | Unit Weight: | 95#/LF |
| Item Description: | 5"x16" Type C - Vertical Curb | | | | Stone Type: | Blue Sky |
| Surface: | Top | Bottom | Front | Back | Left End | Right End |
| Finishes: | Sawn | Sawn | Split | Split | Sawn | Sawn |
| Tolerances: | Items are fabricated to tolerances per the National Building Granite Quarries Association specifications. | | | | | |