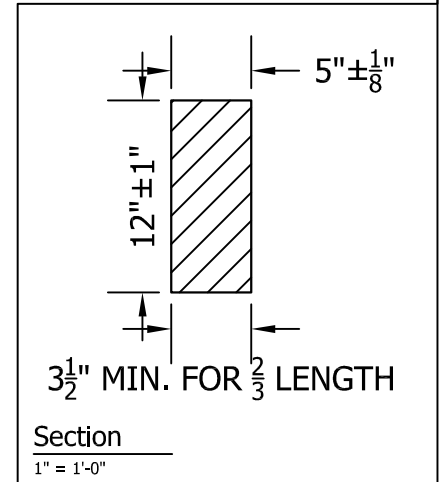
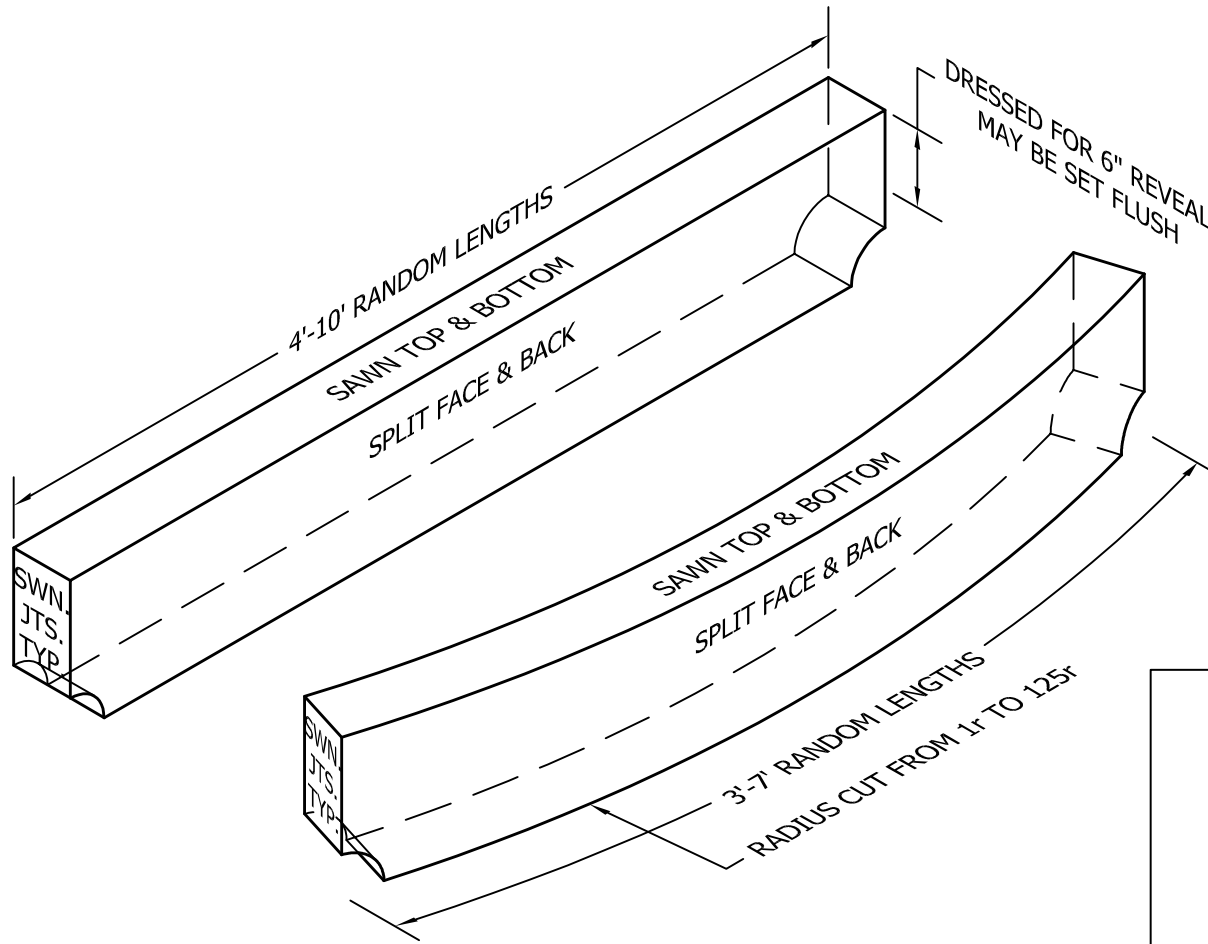


# WILLIAMS STONE COMPANY, INC.

1158 Lee-Westfield Road P.O. Box 278 East Otis, MA 01029  
 Tel: (800) 832-2052 (413) 269-4544 Fax: (413) 269-6148  
 E-mail: info@williamsstone.com Web: www.williamsstone.com



Isometric  
1" = 1'-0"

Section  
1" = 1'-0"

|                   |   |        |       |       |              |           |
|-------------------|---|--------|-------|-------|--------------|-----------|
| Product Code:     | 512S / 512R   |        |       |       | Unit Weight: | 70#/LF    |
| Item Description: | 5"x12" Vertical Curb  |        |       |       | Stone Type:  | Blue Sky  |
| Surface:          | Top   | Bottom | Front | Back  | Left End     | Right End |
| Finishes:         | Sawn  | Sawn   | Split | Split | Sawn         | Sawn      |
| Tolerances:       | Items are fabricated to tolerances per the National Building Granite Quarries Association specifications. |        |       |       |              |           |