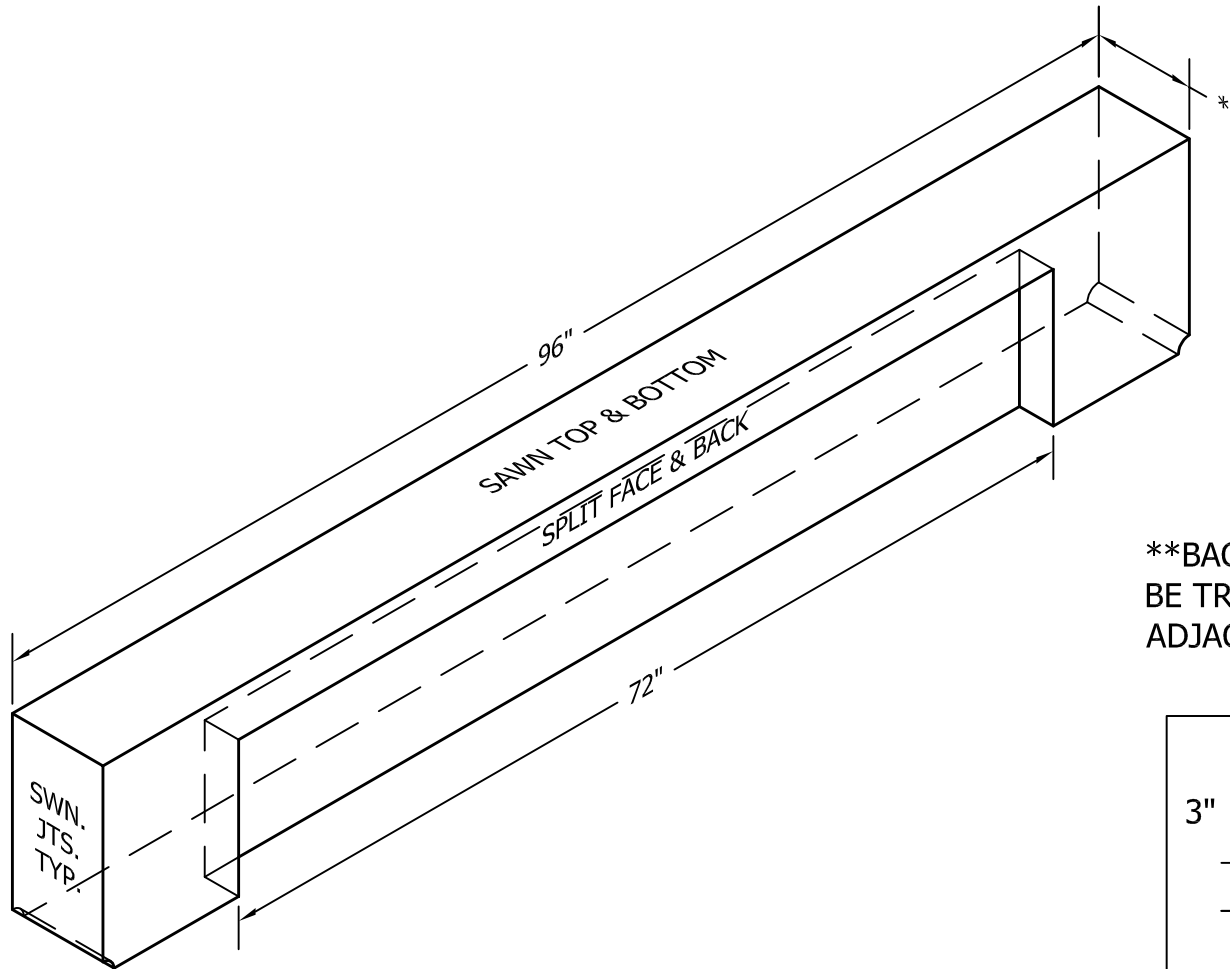


WILLIAMS STONE COMPANY, INC.

1158 Lee-Westfield Road P.O. Box 278 East Otis, MA 01029

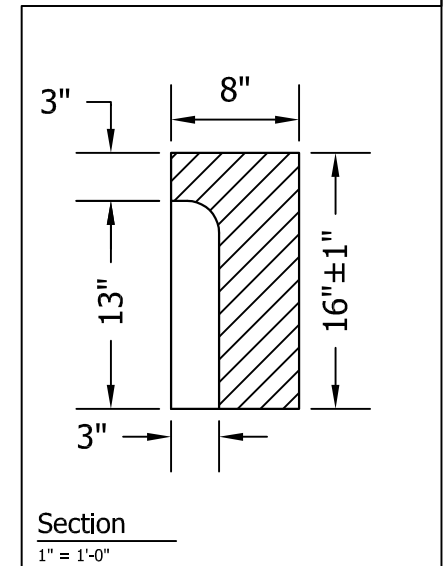
Tel: (800) 832-2052 (413) 269-4544 Fax: (413) 269-6148

E-mail: info@williamsstone.com Web: www.williamsstone.com



**BACK ARRIS LINE CAN BE TRIMMED TO MATCH ADJACENT CURB WIDTH.

-AS FABRICATED BY WILLIAMS STONE CO. INC.
 -CURVED INLETS TO BE CUT TO REQUIRED RADIUS W/RADIAL JOINTS



Isometric
1" = 1'-0"

Product Code:	ISCD(Straight) / ISCDF(Radius)				Unit Weight:	869#/EA.
Item Description:	CTDOT Granite Curb Double Inlet				Stone Type:	Blue Sky
Surface:	Top	Bottom	Front	Back	Left End	Right End
Finishes:	Sawn	Sawn	Split	Split	Sawn	Sawn
Tolerances:	Items are fabricated to tolerances per the National Building Granite Quarries Association specifications.					