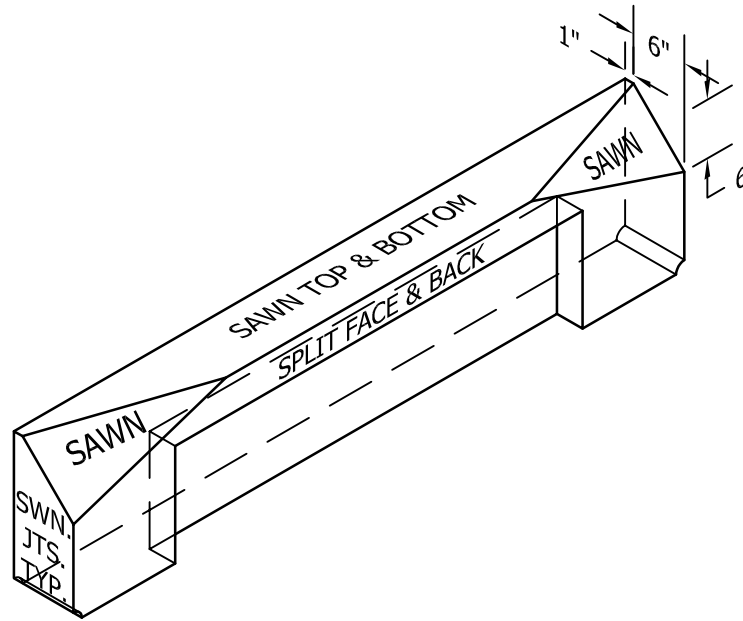


WILLIAMS STONE COMPANY, INC.

1158 Lee-Westfield Road P.O. Box 278 East Otis, MA 01029

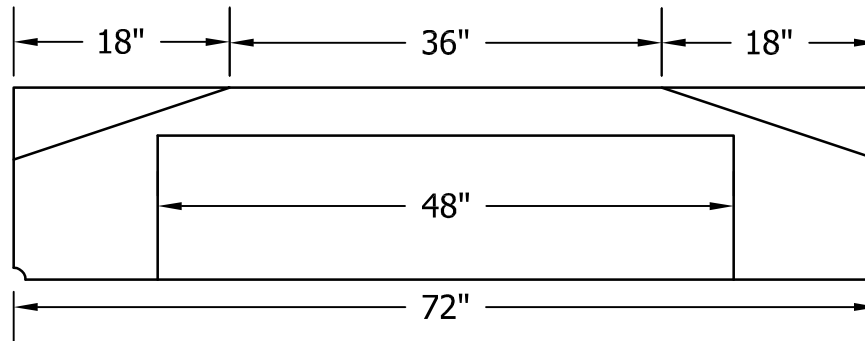
Tel: (800) 832-2052 (413) 269-4544 Fax: (413) 269-6148

E-mail: info@williamsstone.com Web: www.williamsstone.com



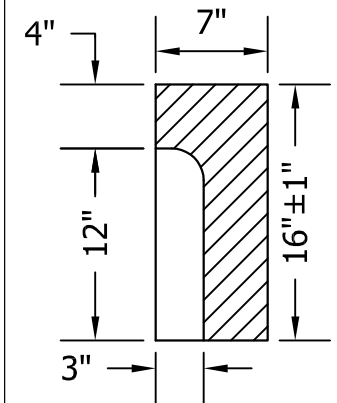
Isometric
3/4" = 1'-0"

STANDARD MASSDOT INLET WITH 6"x6" CHAMFERED ENDS TO MATE WITH SLOPE OR BERM.



Elevation
3/4" = 1'-0"

-AS FABRICATED BY WILLIAMS STONE CO. INC.
-CURVED INLETS TO BE CUT TO REQUIRED RADIUS W/RADIAL JOINTS



Section @ Guttermouth
1" = 1'-0"

Product Code:	ISTX				Unit Weight:	601#/EA.	
Item Description:	Double Curb Inlet w/Chamfer To Meet Slope Curb or Berm				Stone Type:	Blue Sky	
Surface:	Top	Bottom	Front	Back	Left End	Right End	
Finishes:	Sawn	Sawn	Split	Split	Sawn	Sawn	
Tolerances:	Items are fabricated to tolerances per the National Building Granite Quarries Association specifications.						