

WILLIAMS STONE COMPANY, INC.

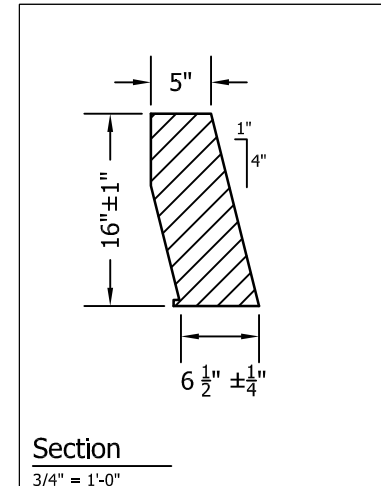
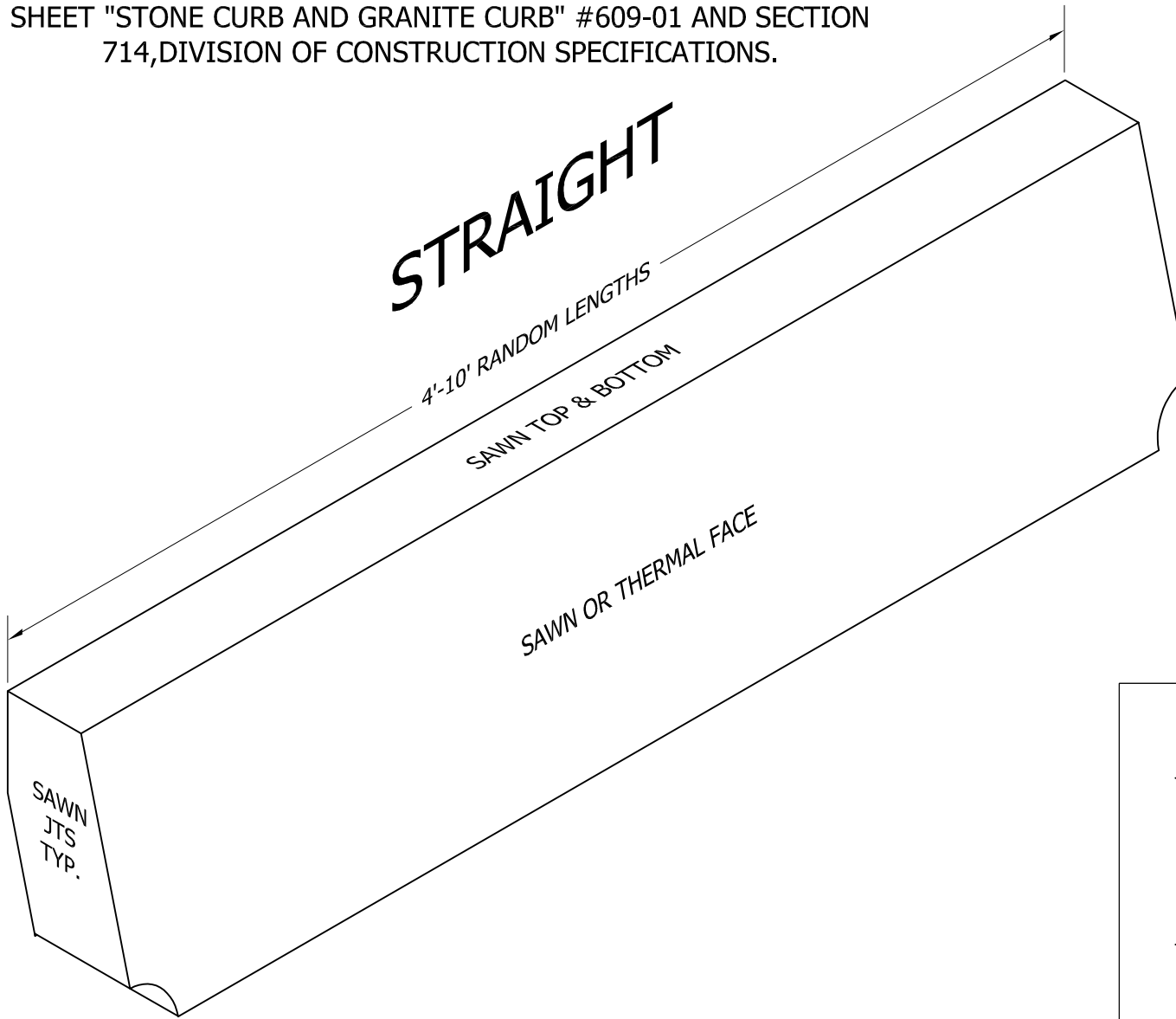
1158 Lee-Westfield Road P.O. Box 278 East Otis, MA 01029

Tel: (800) 832-2052 (413) 269-4544 Fax: (413) 269-6148

E-mail: info@williamsstone.com Web: www.williamsstone.com

WS

GRANITE CURB FABRICATED IN ACCORDANCE WITH NYSDOT DETAIL SHEET "STONE CURB AND GRANITE CURB" #609-01 AND SECTION 714, DIVISION OF CONSTRUCTION SPECIFICATIONS.



Isometric
1-1/2" = 1'-0"

Section
3/4" = 1'-0"

Product Code:	516D				Unit Weight:	110#/LF
Item Description:	5"x16" Type D Straight Vertical Curb				Stone Type:	Blue Sky
Surface:	Top	Bottom	Front	Back	Left End	Right End
Finishes:	Sawn	Sawn	Sawn or Thermal	Sawn/Split	Sawn	Sawn
Tolerances:	Items are fabricated to tolerances per the National Building Granite Quarries Association specifications.					