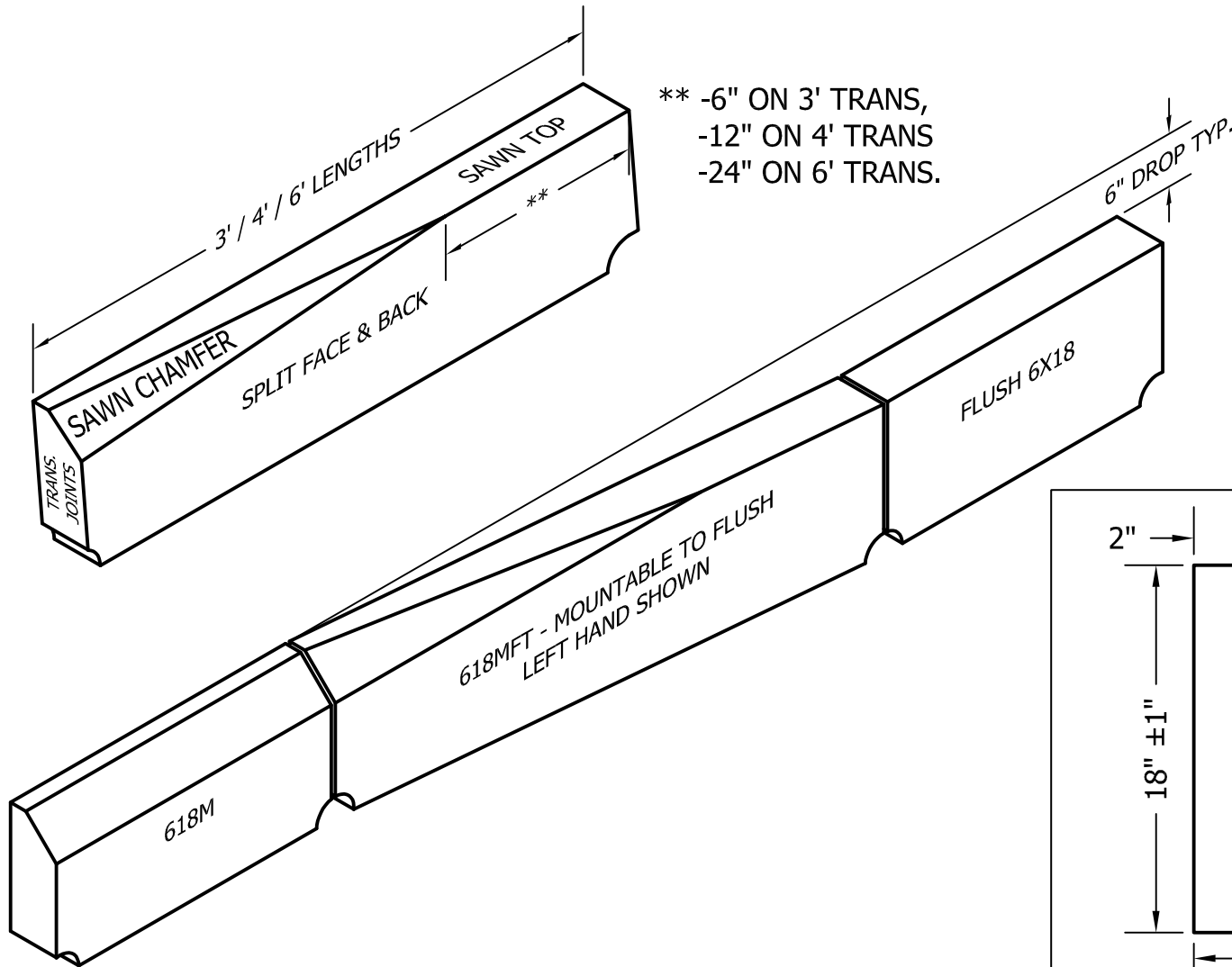
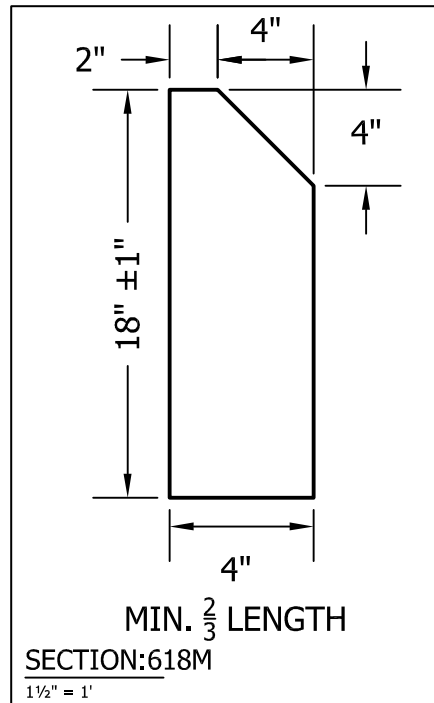


# WILLIAMS STONE COMPANY, INC.

1158 Lee-Westfield Road P.O. Box 278 East Otis, MA 01029  
 Tel: (800)832-2052 (413)269-4544 Fax: (413)269-6148  
 E-mail: info@williamsstone.com Web: www.williamsstone.com



\*\* -6" ON 3' TRANS,  
 -12" ON 4' TRANS  
 -24" ON 6' TRANS.



ISOMETRIC  
 3/4" = 1'

-TRANSITION JOINTS  
 -RADIAL PIECES CUT TO REQUIRED CURVATURE.

Product Code:	618MFT				Unit Weight:	118#/LF
Item Description:	6"x18" Straight Mountable 4"X4" to Flush Transition				Stone Type:	Blue Sky
Surface:	Top	Bottom	Front	Back	Left End	Right End
Finishes:	Sawn	Sawn	Sawn or Split	Sawn or Split	Sawn	Sawn
Tolerances:	Items are fabricated to tolerances per the National Building Granite Quarries Association specifications.					