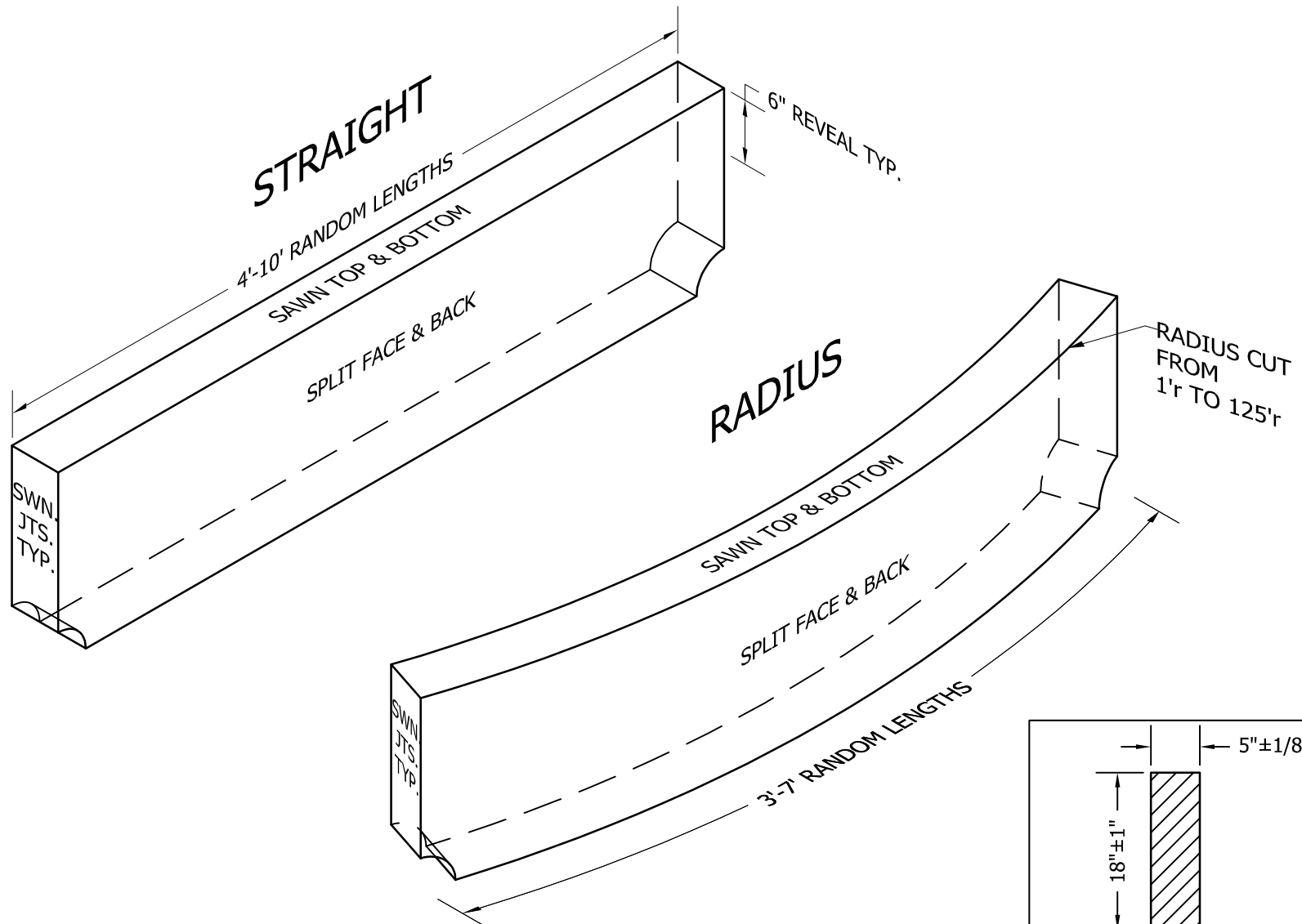


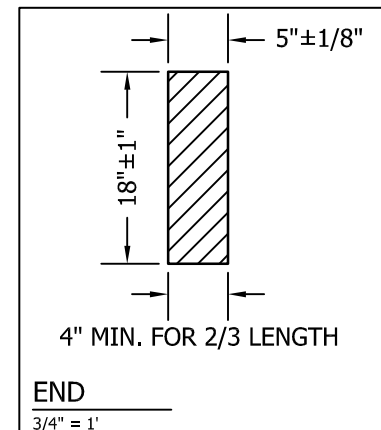
WILLIAMS STONE COMPANY, INC.

1158 Lee-Westfield Road P.O. Box 278 East Otis, MA 01029
 Tel: (800) 832-2052 (413) 269-4544 Fax: (413) 269-6148
 E-mail: info@williamsstone.com Web: www.williamsstone.com



GRANITE CURB FABRICATED IN ACCORDANCE WITH M9.04.1 OF THE COMMONWEALTH OF MASSACHUSETTS D.P.W. STANDARD OF SPECIFICATION FOR HIGHWAYS & BRIDGES

ISO
1" = 1'



| | | | | | | |
|-------------------|---|--------|-------|-------|--------------|-----------|
| Product Code: | 518S / 518R | | | | Unit Weight: | 102#/LF |
| Item Description: | 5"x18" Vertical Curb | | | | Stone Type: | Blue Sky |
| Surface: | Top | Bottom | Front | Back | Left End | Right End |
| Finishes: | Sawn | Sawn | Split | Split | Sawn | Sawn |
| Tolerances: | Items are fabricated to tolerances per the National Building Granite Quarries Association specifications. | | | | | |