



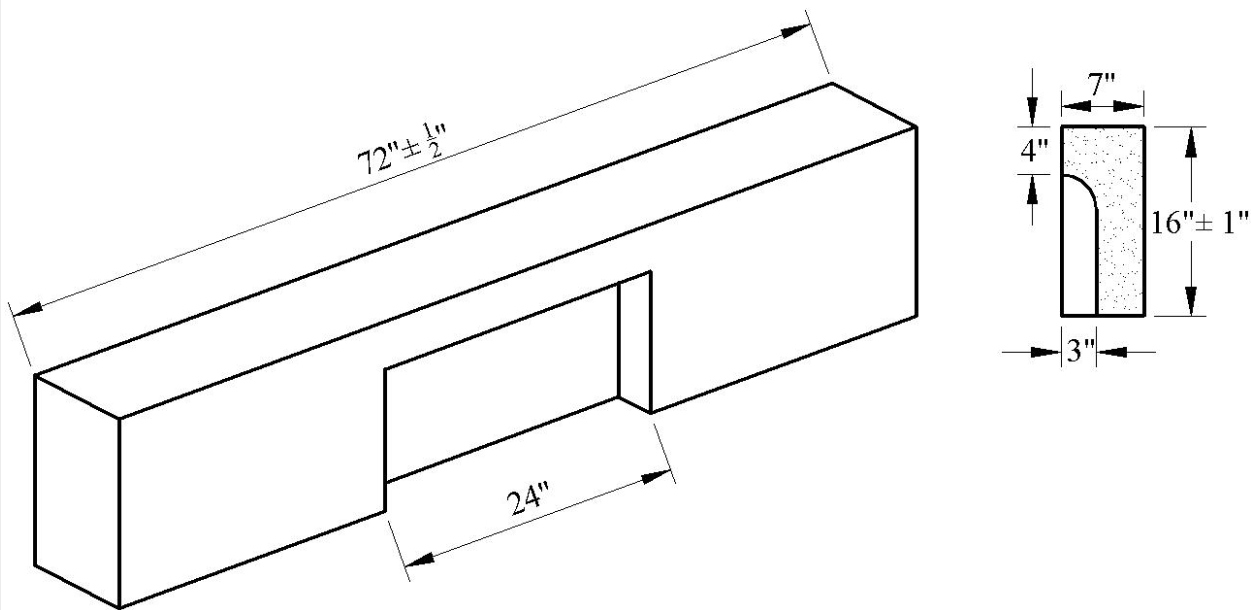
WILLIAMS STONE COMPANY, INC.

1158 Lee-Westfield Road P.O. Box 278 East Otis, MA 01029
Tel: (800)832-2052 (413)269-4544 Fax: (413)269-6148
E-mail: info@williamsstone.com Web: www.williamsstone.com

Granite Curb Standard Inlet

Straight & Radius

(as manufactured by Williams Stone Co. Inc.)



Notes:

1. Granite will conform to M9.04.0
2. Dimensions will be as shown above unless otherwise directed by the Engineer.
3. Curved Inlets will be cut to the curve required. Joints will be cut on radial lines.