



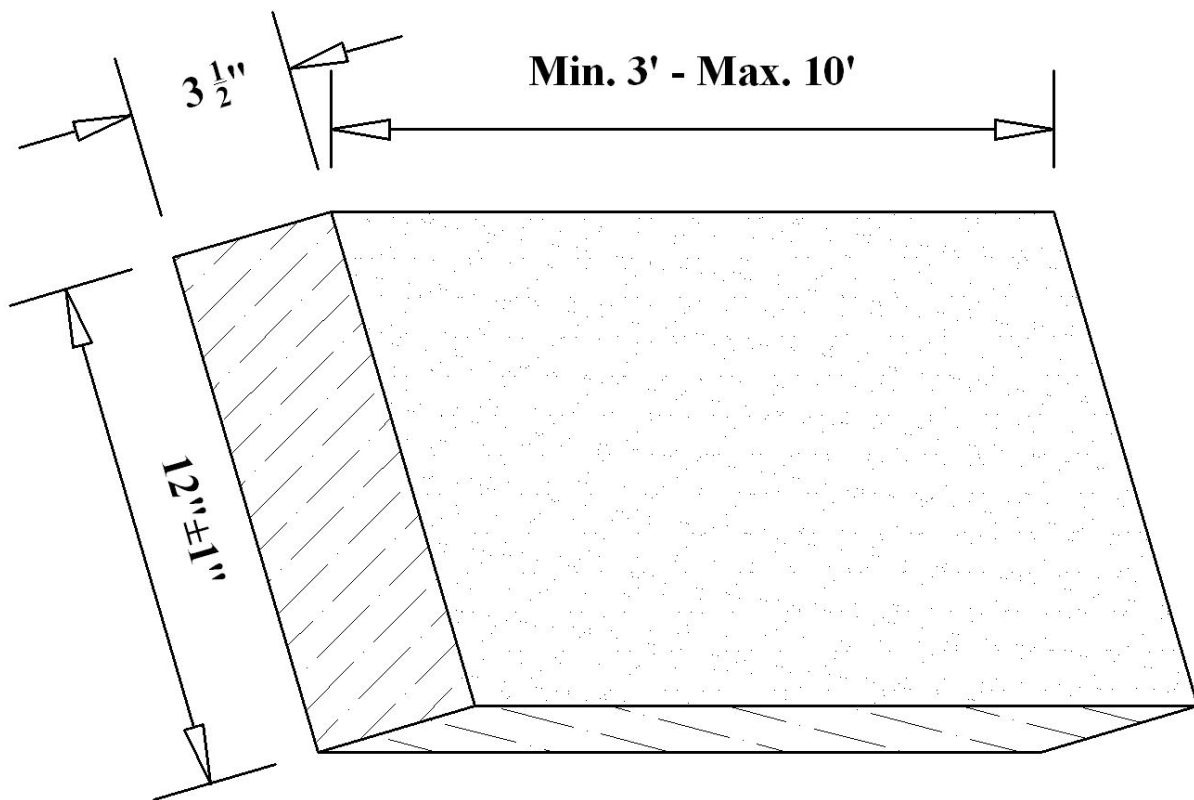
WILLIAMS STONE COMPANY, INC.

1158 Lee-Westfield Road P.O. Box 278 East Otis, MA 01029
Tel: (800)832-2052 (413)269-4544 Fax: (413)269-6148
E-mail: info@williamsstone.com Web: www.williamsstone.com

Type SB Sloped Edging

Straight & Radius

(as manufactured by Williams Stone Co. Inc.)



Sawn top and bottom, split face

Note: When radius is 10' and under, the maximum length shall be 1 foot.