



WILLIAMS STONE COMPANY, INC.

1158 Lee-Westfield Road P.O. Box 278 East Otis, MA 01029

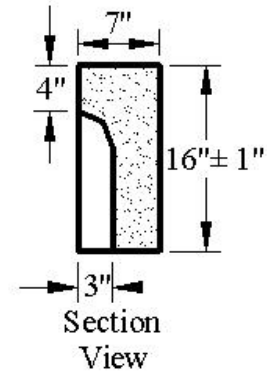
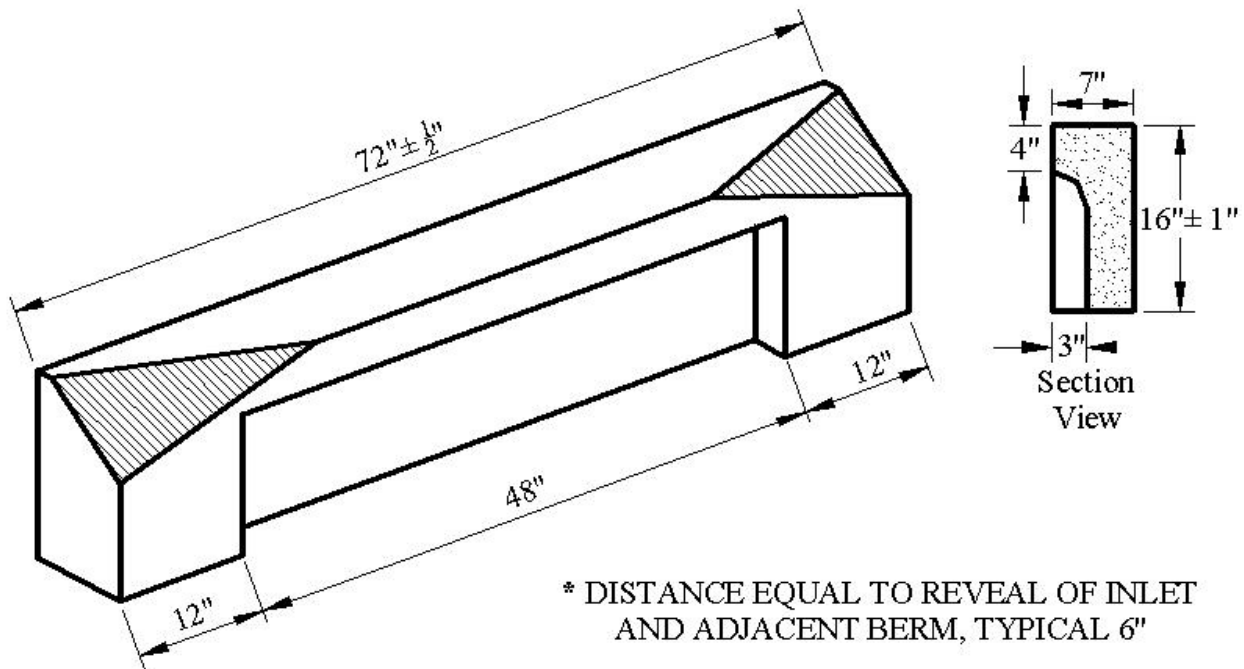
Tel: (800)832-2052 (413)269-4544 Fax: (413)269-6148

E-mail: info@williamstone.com Web: www.williamstone.com

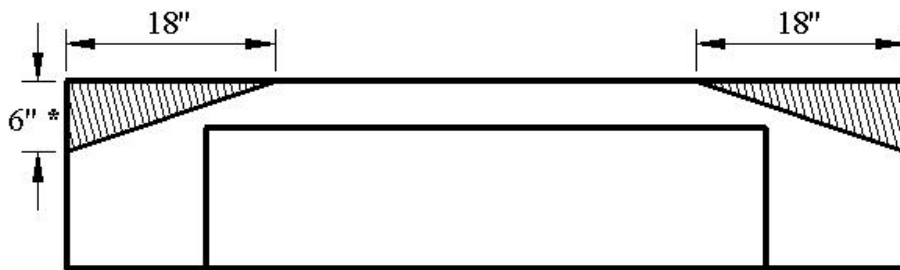
Granite Curb Double Inlet Slope or Berm

Straight & Radius

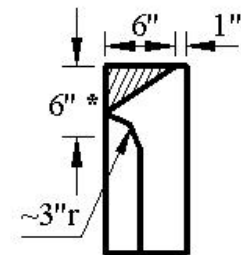
(as manufactured by Williams Stone Co. Inc.)



* DISTANCE EQUAL TO REVEAL OF INLET AND ADJACENT BERM, TYPICAL 6"



Front Elevation



End Elevation

Notes:

1. Dimensions will be as shown above unless otherwise directed by the Engineer.
2. Curved Inlets will be cut to the curve required. Joints will be cut on radial lines.