

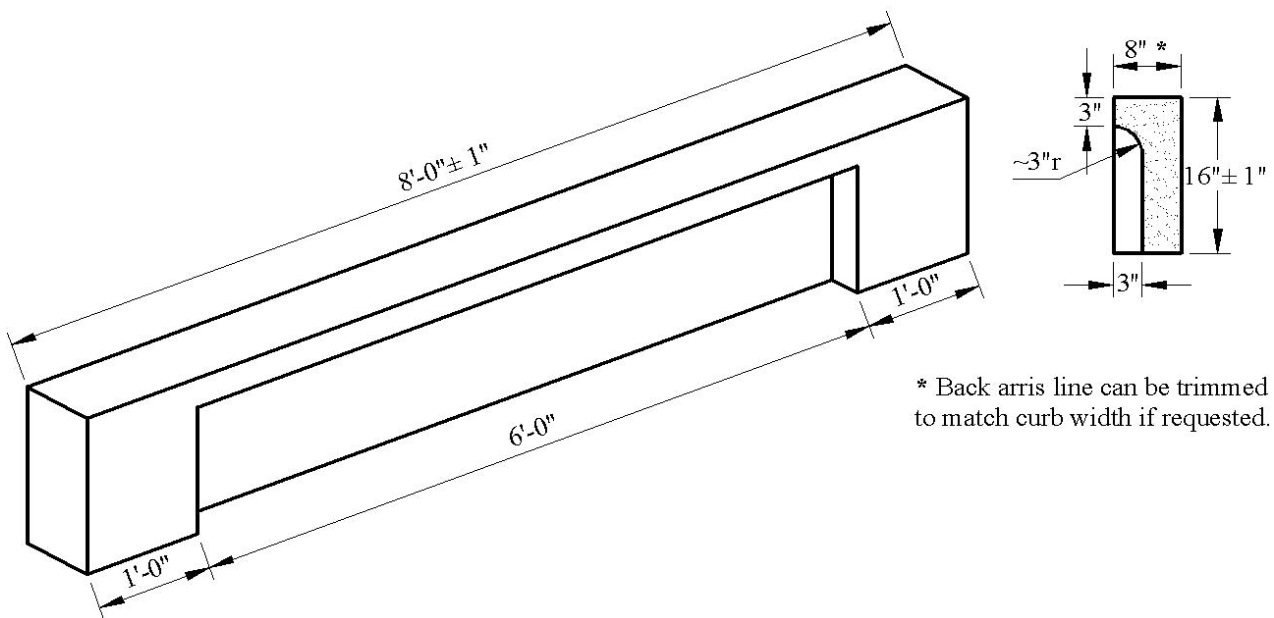


WILLIAMS STONE COMPANY, INC.

1158 Lee-Westfield Road P.O. Box 278 East Otis, MA 01029
Tel: (800)832-2052 (413)269-4544 Fax: (413)269-6148
E-mail: info@williamsstone.com Web: www.williamsstone.com

Granite Double Inlet Connecticut

(as manufactured by Williams Stone Co. Inc.)



* Back arris line can be trimmed to match curb width if requested.